



**HIGH DENSITY**

**4** HDF  
PRODUCTS

**FIBERBOARD (HDF) PRODUCTS**

# HIGH DENSITY FIBERBOARD (HDF)

## General Information / Route Patterns

High Density Fiberboard (HDF) is a strong material made from densely packed wood fibers that offers a smooth and uniform surface ideal for solid color finishing. One of the benefits of HDF is its durability and ability to stand up to changes in heat or humidity which helps to maintain the integrity of the painted finish. We offer a variety of one piece and five piece door styles that can be ordered raw or finished with any of our paint and glaze colors.

All HDF doors are 3/4" thick.

### Warranty

See page 8 for general wood product warranty.

### Tolerances

Elias Woodwork warrants that it's HDF cabinet doors have a size tolerance of +/- 1mm.

### Production Lead Times

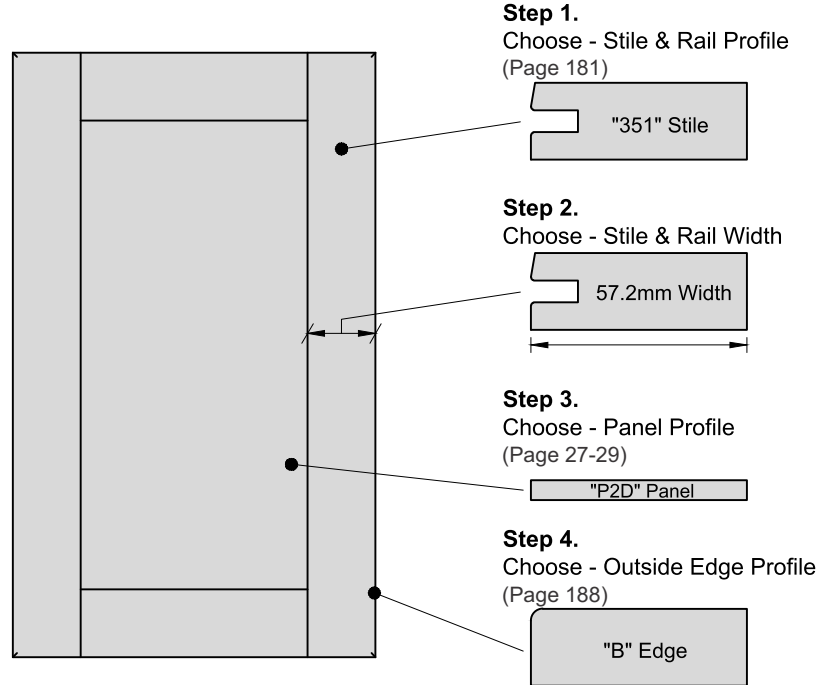
Standard order lead times are 7-10 business days depending on workload.

### Rush Orders

Rush orders have a lead time of 3-5 business days.

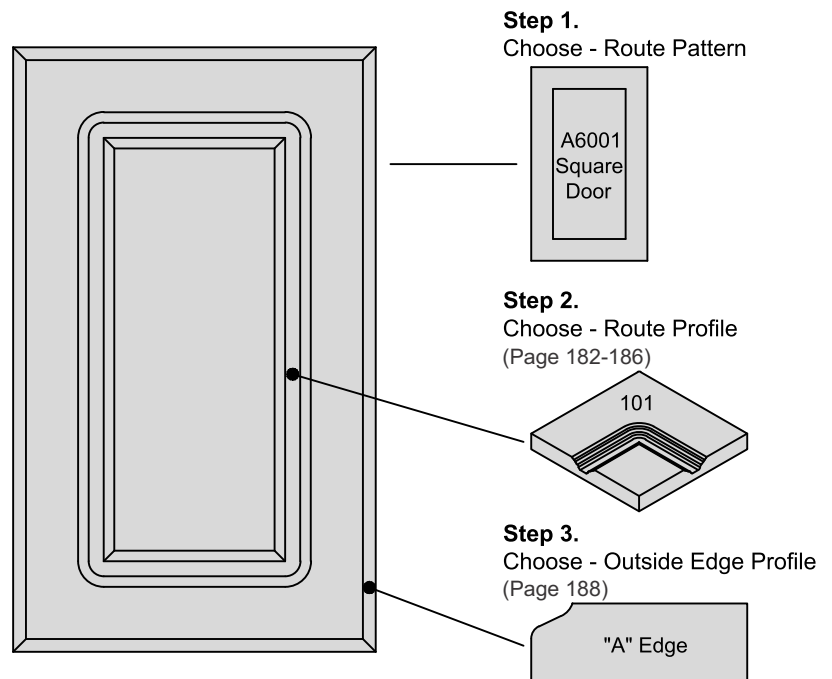
## How to Order 5 Piece HDF Doors

Five Simple steps to order tenon doors:

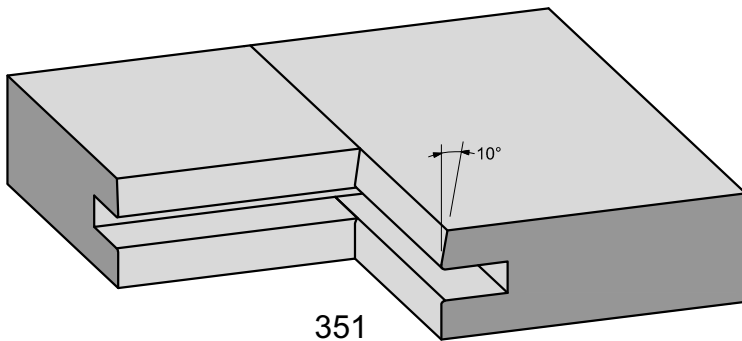


## How to Order 1 Piece HDF Doors

Five Simple steps to order tenon doors:



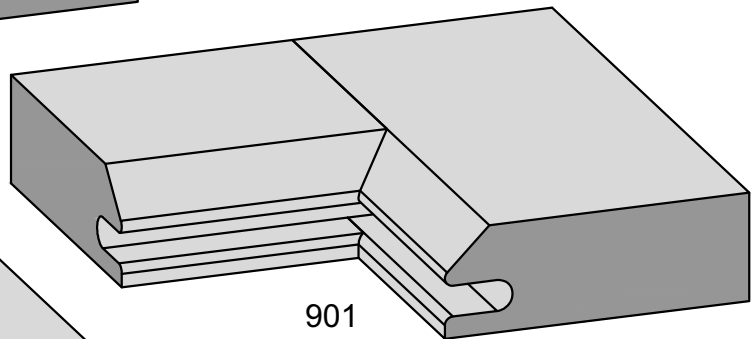
## 5 PIECE HDF STILE / RAIL OPTIONS



351

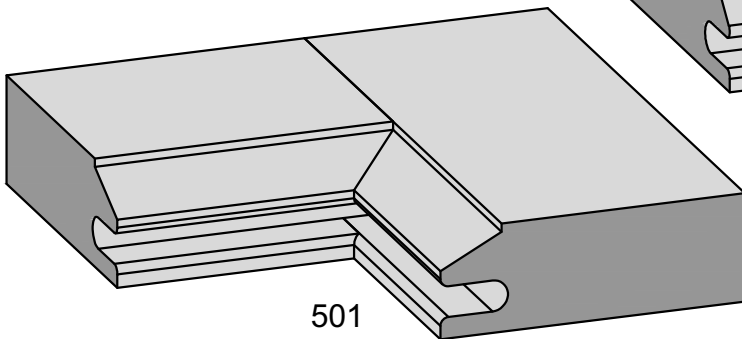
Does not work with raised panel profiles.

**NOTE:** Standard thickness is 3/4". Standard Stile / Rail widths are 2 1/4" (57mm) and 3" (76mm). Call for custom width requirements.



901

Does not work with reverse panel profiles.



501

4  
HDF  
PRODUCTS

## 5 PIECE HDF OPTIONS

**Panel Options** - See pages 27 - 29 in the Tenon Door section of the catalog.

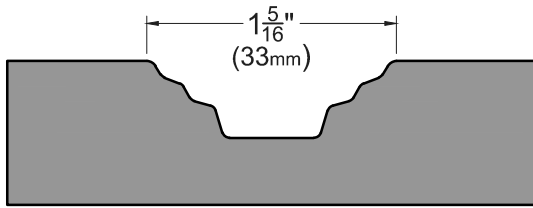
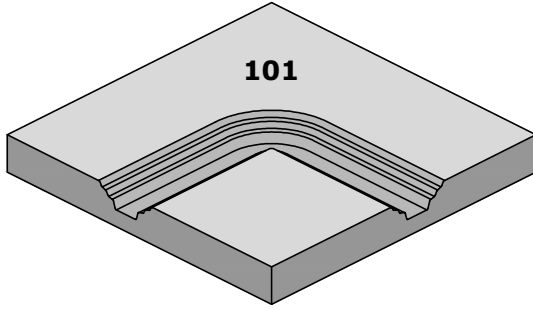
**Frames & Mullions** - See pages 58 - 61 in the catalog. Note: there is no groove for the retainer molding included in the frame for the 5 piece HDF doors.

**Edge Profiles** - See page 188.

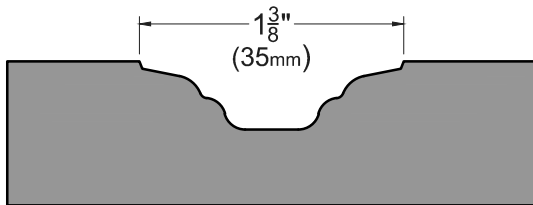
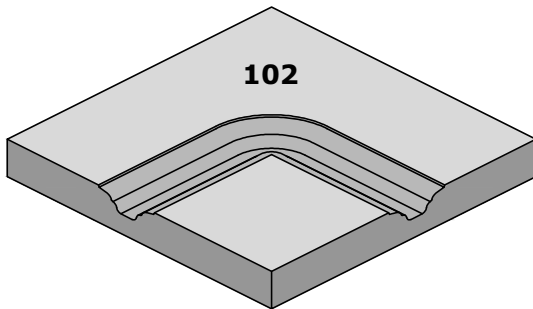
**PRODUCT TIP:**

HDF is only one option available for our paint grade doors. Please refer to the Tenon and Miter section of the catalog for additional profiles and styles available in Maple/HDF. All of our doors can be ordered raw or finished.

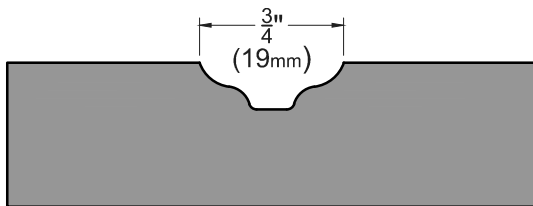
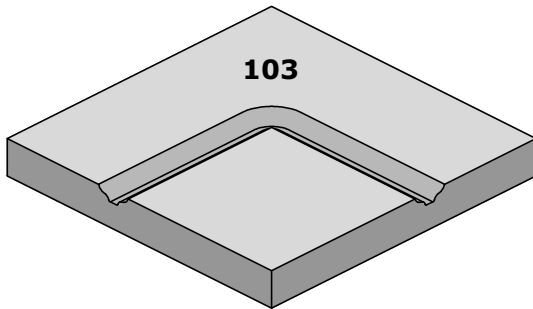
# One Piece Rounded Groove Profiles



Route Pattern	Stile Width	Min. Width	Min. Height	Frame Options	Mullion Options
<b>A6001</b>	2 <sup>5</sup> / <sub>8</sub> " (67.5mm)	7 <sup>1</sup> / <sub>2</sub> " (190mm)	7 <sup>1</sup> / <sub>2</sub> " (190mm)	Yes	Yes
<b>A6002</b>	2 <sup>5</sup> / <sub>8</sub> " (67.5mm)	7 <sup>1</sup> / <sub>2</sub> " (190mm)	8 <sup>1</sup> / <sub>8</sub> " (206mm)	Yes	Yes
<b>A6003</b>	2 <sup>5</sup> / <sub>8</sub> " (67.5mm)	9 <sup>3</sup> / <sub>16</sub> " (233mm)	8 <sup>7</sup> / <sub>16</sub> " (214mm)	Yes	Yes
<b>A6004</b>	2 <sup>5</sup> / <sub>8</sub> " (67.5mm)	7 <sup>1</sup> / <sub>2</sub> " (190mm)	7 <sup>1</sup> / <sub>2</sub> " (190mm)	Yes	Yes
<b>A6005</b>	2 <sup>5</sup> / <sub>8</sub> " (67.5mm)	7 <sup>1</sup> / <sub>2</sub> " (190mm)	5 <sup>1</sup> / <sub>16</sub> " (128mm)	Yes	No

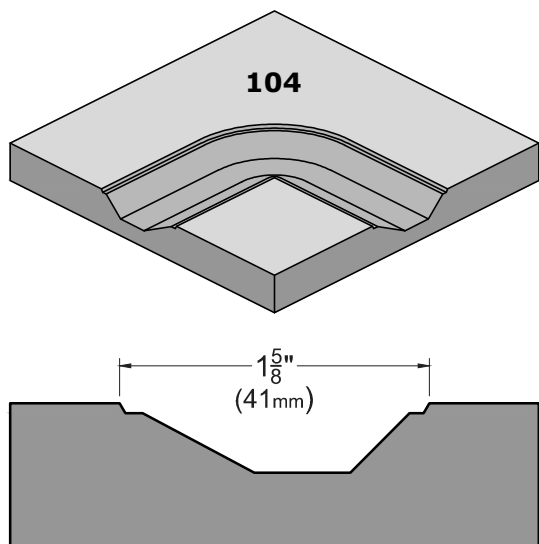


Route Pattern	Stile Width	Min. Width	Min. Height	Frame Options	Mullion Options
<b>A6001</b>	2 <sup>5</sup> / <sub>8</sub> " (68.1mm)	7 <sup>1</sup> / <sub>2</sub> " (190mm)	7 <sup>1</sup> / <sub>2</sub> " (190mm)	Yes	Yes
<b>A6002</b>	2 <sup>5</sup> / <sub>8</sub> " (68.1mm)	7 <sup>1</sup> / <sub>2</sub> " (190mm)	8 <sup>1</sup> / <sub>8</sub> " (206mm)	Yes	Yes
<b>A6003</b>	2 <sup>5</sup> / <sub>8</sub> " (68.1mm)	9 <sup>3</sup> / <sub>16</sub> " (233mm)	8 <sup>7</sup> / <sub>16</sub> " (214mm)	Yes	Yes
<b>A6004</b>	2 <sup>5</sup> / <sub>8</sub> " (68.1mm)	7 <sup>1</sup> / <sub>2</sub> " (190mm)	7 <sup>1</sup> / <sub>2</sub> " (190mm)	Yes	Yes
<b>A6005</b>	2 <sup>5</sup> / <sub>8</sub> " (68.1mm)	7 <sup>1</sup> / <sub>2</sub> " (190mm)	5 <sup>1</sup> / <sub>16</sub> " (128mm)	No	No

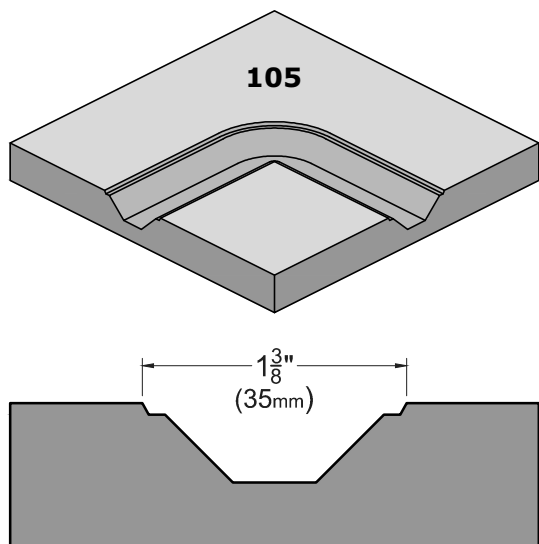


Route Pattern	Stile Width	Min. Width	Min. Height	Frame Options	Mullion Options
<b>A6001</b>	2 <sup>1</sup> / <sub>2</sub> " (63.5mm)	6 <sup>3</sup> / <sub>16</sub> " (157mm)	6 <sup>3</sup> / <sub>16</sub> " (157mm)	Yes	No
<b>A6002</b>	2 <sup>1</sup> / <sub>2</sub> " (63.5mm)	6 <sup>3</sup> / <sub>16</sub> " (157mm)	6 <sup>13</sup> / <sub>16</sub> " (173mm)	Yes	No
<b>A6003</b>	2 <sup>1</sup> / <sub>2</sub> " (63.5mm)	9 <sup>3</sup> / <sub>16</sub> " (233mm)	8 <sup>7</sup> / <sub>16</sub> " (214mm)	Yes	No
<b>A6004</b>	2 <sup>1</sup> / <sub>2</sub> " (63.5mm)	6 <sup>3</sup> / <sub>16</sub> " (157mm)	6 <sup>3</sup> / <sub>16</sub> " (157mm)	Yes	No
<b>A6005</b>	2 <sup>1</sup> / <sub>2</sub> " (63.5mm)	6 <sup>3</sup> / <sub>16</sub> " (157mm)	3 <sup>3</sup> / <sub>4</sub> " (95mm)	No	No

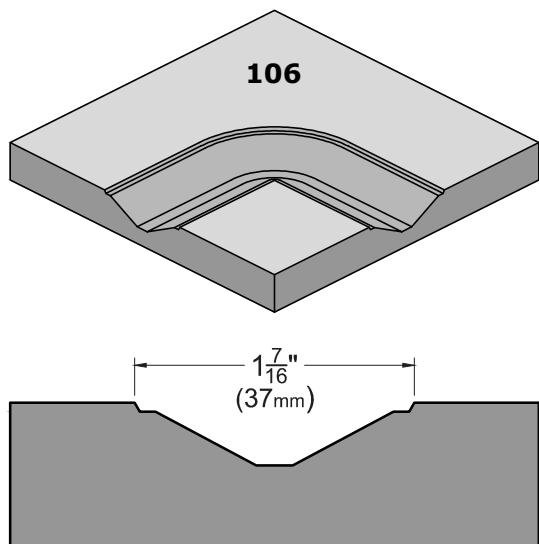
4  
HDF  
PRODUCTS



Route Pattern	Stile Width	Min. Width	Min. Height	Frame Options	Mullion Options
<b>A6001</b>	2 5/8" (67.4mm)	8 1/4" (209mm)	8 1/4" (209mm)	Yes	Yes
<b>A6002</b>	2 5/8" (67.4mm)	8 1/4" (209mm)	8 7/8" (225mm)	Yes	Yes
<b>A6003</b>	2 5/8" (67.4mm)	9 13/16" (249mm)	9 3/16" (233mm)	Yes	Yes
<b>A6004</b>	2 5/8" (67.4mm)	8 1/4" (209mm)	8 1/4" (209mm)	Yes	Yes
<b>A6005</b>	2 5/8" (67.4mm)	8 1/4" (209mm)	5 3/4" (147mm)	No	No



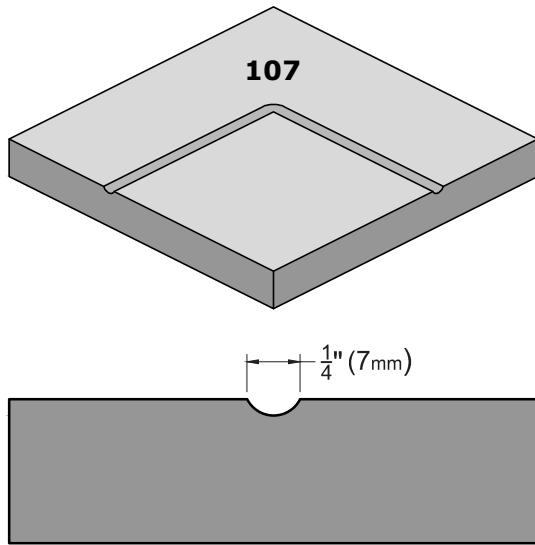
Route Pattern	Stile Width	Min. Width	Min. Height	Frame Options	Mullion Options
<b>A6001</b>	2 5/8" (67.4mm)	7 5/16" (186mm)	7 5/16" (186mm)	Yes	Yes
<b>A6002</b>	2 5/8" (67.4mm)	7 5/16" (186mm)	7 15/16" (202mm)	Yes	Yes
<b>A6003</b>	2 5/8" (67.4mm)	9 7/16" (239mm)	8 1/4" (210mm)	Yes	Yes
<b>A6004</b>	2 5/8" (67.4mm)	7 5/16" (186mm)	7 5/16" (186mm)	Yes	Yes
<b>A6005</b>	2 5/8" (67.4mm)	7 5/16" (186mm)	4 7/8" (124mm)	No	No



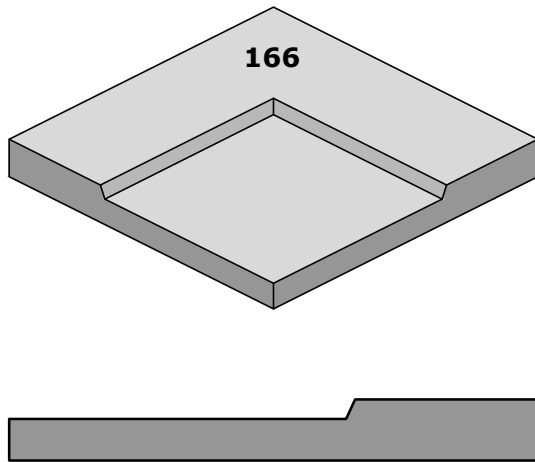
Route Pattern	Stile Width	Min. Width	Min. Height	Frame Options	Mullion Options
<b>A6001</b>	2 5/8" (67.9mm)	7 9/16" (192.1mm)	7 9/16" (192.1mm)	Yes	Yes
<b>A6002</b>	2 5/8" (67.9mm)	7 9/16" (192.1mm)	8 3/16" (208.1mm)	Yes	Yes
<b>A6003</b>	2 5/8" (67.9mm)	8 5/16" (211mm)	8 1/2" (216.1mm)	Yes	Yes
<b>A6004</b>	2 5/8" (67.9mm)	7 9/16" (192.1mm)	7 9/16" (192.1mm)	Yes	Yes
<b>A6005</b>	2 5/8" (67.9mm)	7 9/16" (192.1mm)	5 5/8" (142.5mm)	No	No

# HIGH DENSITY FIBERBOARD (HDF)

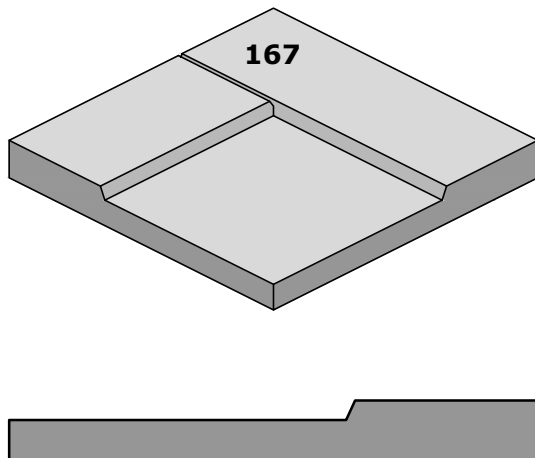
## One Piece Rounded Groove Profiles



Route Pattern	Stile Width	Min. Width	Min. Height	Frame Options	Mullion Options
<b>A6001</b>	2¼" (57mm)	3 <sup>5</sup> / <sub>16</sub> " (135mm)	3 <sup>5</sup> / <sub>16</sub> " (135mm)	No	No
<b>A6002</b>	2¼" (57mm)	5 <sup>5</sup> / <sub>16</sub> " (135mm)	5 <sup>15</sup> / <sub>16</sub> " (151mm)	No	No
<b>A6003</b>	2¼" (57mm)	9 <sup>3</sup> / <sub>16</sub> " (233mm)	6¼" (159mm)	No	No
<b>A6004</b>	2¼" (57mm)	3 <sup>5</sup> / <sub>16</sub> " (135mm)	3 <sup>5</sup> / <sub>16</sub> " (135mm)	No	No
<b>A6005</b>	2¼" (57mm)	3 <sup>5</sup> / <sub>16</sub> " (135mm)	2 <sup>7</sup> / <sub>8</sub> " (73mm)	No	No

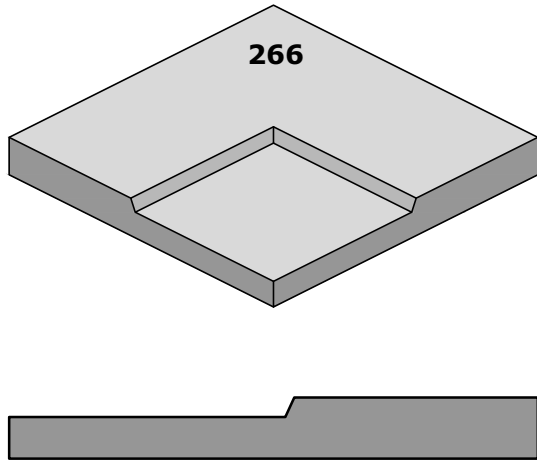


Route Pattern	Stile Width	Min. Width	Min. Height	Frame Options	Mullion Options
<b>A6001</b>	2¼" (57mm)	3 <sup>5</sup> / <sub>16</sub> " (135mm)	3 <sup>5</sup> / <sub>16</sub> " (135mm)	Yes	Yes
<b>A6002</b>	2¼" (57mm)	3 <sup>5</sup> / <sub>16</sub> " (135mm)	5 <sup>15</sup> / <sub>16</sub> " (151mm)	Yes	Yes
<b>A6003</b>	2¼" (57mm)	9 <sup>3</sup> / <sub>16</sub> " (233mm)	6¼" (159mm)	Yes	Yes
<b>A6004</b>	2¼" (57mm)	3 <sup>5</sup> / <sub>16</sub> " (135mm)	3 <sup>5</sup> / <sub>16</sub> " (135mm)	Yes	Yes
<b>A6005</b>	2¼" (57mm)	3 <sup>5</sup> / <sub>16</sub> " (135mm)	4 <sup>5</sup> / <sub>16</sub> " (109mm)	No	No

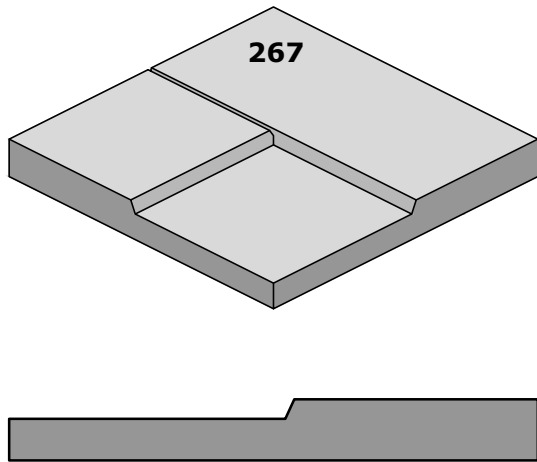


Route Pattern	Stile Width	Min. Width	Min. Height	Frame Options	Mullion Options
<b>A6001</b>	2¼" (57mm)	3 <sup>5</sup> / <sub>16</sub> " (135mm)	3 <sup>5</sup> / <sub>16</sub> " (135mm)	Yes	Yes
<b>A6002</b>	2¼" (57mm)	3 <sup>5</sup> / <sub>16</sub> " (135mm)	5 <sup>15</sup> / <sub>16</sub> " (151mm)	Yes	Yes
<b>A6003</b>	2¼" (57mm)	9 <sup>3</sup> / <sub>16</sub> " (233mm)	6¼" (159mm)	Yes	Yes
<b>A6004</b>	2¼" (57mm)	3 <sup>5</sup> / <sub>16</sub> " (135mm)	3 <sup>5</sup> / <sub>16</sub> " (135mm)	Yes	Yes
<b>A6005</b>	2¼" (57mm)	3 <sup>5</sup> / <sub>16</sub> " (135mm)	4 <sup>5</sup> / <sub>16</sub> " (109mm)	No	No

4 HDF PRODUCTS

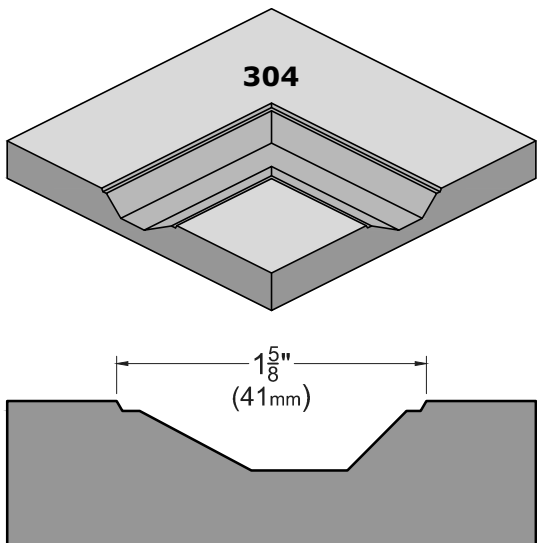


Route Pattern	Stile Width	Min. Width	Min. Height	Frame Options	Mullion Options
<b>A6001</b>	3" (76mm)	6 <sup>13</sup> / <sub>16</sub> " (173mm)	6 <sup>13</sup> / <sub>16</sub> " (173mm)	Yes	Yes
<b>A6002</b>	3" (76mm)	6 <sup>13</sup> / <sub>16</sub> " (173mm)	7 <sup>7</sup> / <sub>16</sub> " (189mm)	Yes	Yes
<b>A6003</b>	3" (76mm)	10 <sup>11</sup> / <sub>16</sub> " (271mm)	7 <sup>3</sup> / <sub>4</sub> " (197mm)	Yes	Yes
<b>A6004</b>	3" (76mm)	6 <sup>13</sup> / <sub>16</sub> " (173mm)	6 <sup>13</sup> / <sub>16</sub> " (173mm)	Yes	Yes
<b>A6005</b>	3" (76mm)	6 <sup>13</sup> / <sub>16</sub> " (173mm)	5 <sup>13</sup> / <sub>16</sub> " (147mm)	No	No



Route Pattern	Stile Width	Min. Width	Min. Height	Frame Options	Mullion Options
<b>A6001</b>	3" (76mm)	6 <sup>13</sup> / <sub>16</sub> " (173mm)	6 <sup>13</sup> / <sub>16</sub> " (173mm)	Yes	Yes
<b>A6002</b>	3" (76mm)	6 <sup>13</sup> / <sub>16</sub> " (173mm)	7 <sup>7</sup> / <sub>16</sub> " (189mm)	Yes	Yes
<b>A6003</b>	3" (76mm)	10 <sup>11</sup> / <sub>16</sub> " (271mm)	7 <sup>3</sup> / <sub>4</sub> " (197mm)	Yes	Yes
<b>A6004</b>	3" (76mm)	6 <sup>13</sup> / <sub>16</sub> " (173mm)	6 <sup>13</sup> / <sub>16</sub> " (173mm)	Yes	Yes
<b>A6005</b>	3" (76mm)	6 <sup>13</sup> / <sub>16</sub> " (173mm)	5 <sup>13</sup> / <sub>16</sub> " (147mm)	No	No

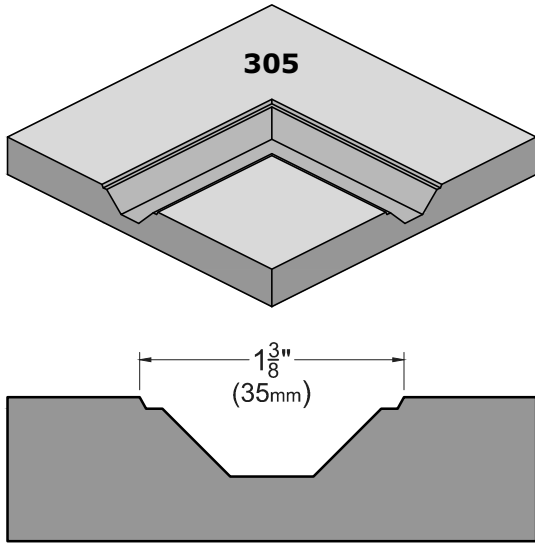
**4** HDF  
PRODUCTS



Route Pattern	Stile Width	Min. Width	Min. Height	Frame Options	Mullion Options
<b>A6001</b>	2 <sup>5</sup> / <sub>8</sub> " (67.4mm)	8 <sup>1</sup> / <sub>4</sub> " (209mm)	8 <sup>1</sup> / <sub>4</sub> " (209mm)	Yes	Yes
<b>A6002</b>	2 <sup>5</sup> / <sub>8</sub> " (67.4mm)	8 <sup>1</sup> / <sub>4</sub> " (209mm)	8 <sup>15</sup> / <sub>16</sub> " (225mm)	Yes	Yes
<b>A6003</b>	2 <sup>5</sup> / <sub>8</sub> " (67.4mm)	9 <sup>13</sup> / <sub>16</sub> " (239mm)	9 <sup>3</sup> / <sub>16</sub> " (233mm)	Yes	Yes
<b>A6004</b>	2 <sup>5</sup> / <sub>8</sub> " (67.4mm)	8 <sup>1</sup> / <sub>4</sub> " (209mm)	8 <sup>1</sup> / <sub>4</sub> " (209mm)	Yes	Yes
<b>A6005</b>	2 <sup>5</sup> / <sub>8</sub> " (67.4mm)	8 <sup>1</sup> / <sub>4</sub> " (209mm)	5 <sup>13</sup> / <sub>16</sub> " (147mm)	No	No

# HIGH DENSITY FIBERBOARD (HDF)

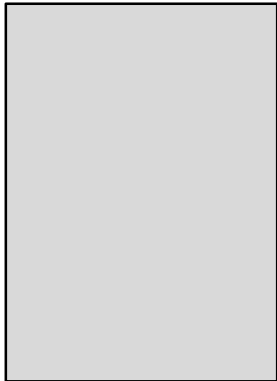
## One Piece Rounded Groove Profiles / Route Patterns



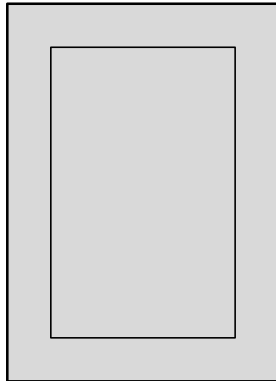
Route Pattern	Stile Width	Min. Width	Min. Height	Frame Options	Mullion Options
<b>A6001</b>	2 <sup>5</sup> / <sub>8</sub> " (67.4mm)	7 <sup>5</sup> / <sub>16</sub> " (186mm)	7 <sup>5</sup> / <sub>16</sub> " (186mm)	Yes	Yes
<b>A6002</b>	2 <sup>5</sup> / <sub>8</sub> " (67.4mm)	7 <sup>5</sup> / <sub>16</sub> " (186mm)	7 <sup>7</sup> / <sub>16</sub> " (289mm)	Yes	Yes
<b>A6003</b>	2 <sup>5</sup> / <sub>8</sub> " (67.4mm)	9 <sup>7</sup> / <sub>16</sub> " (239mm)	8 <sup>1</sup> / <sub>4</sub> " (210mm)	Yes	Yes
<b>A6004</b>	2 <sup>5</sup> / <sub>8</sub> " (67.4mm)	7 <sup>5</sup> / <sub>16</sub> " (186mm)	7 <sup>5</sup> / <sub>16</sub> " (186mm)	Yes	Yes
<b>A6005</b>	2 <sup>5</sup> / <sub>8</sub> " (67.4mm)	7 <sup>5</sup> / <sub>16</sub> " (186mm)	4 <sup>15</sup> / <sub>16</sub> " (124mm)	No	No

4  
HDF  
PRODUCTS

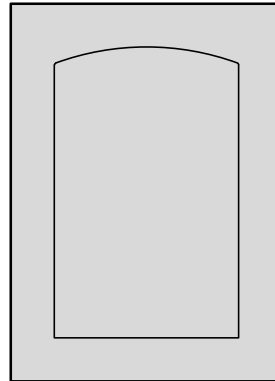
## One Piece HDF Route Patterns



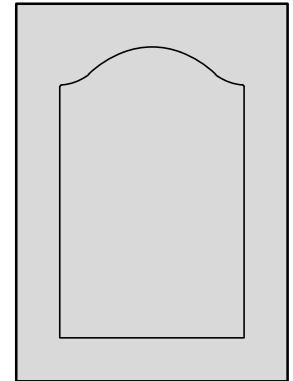
A6000  
Square Door



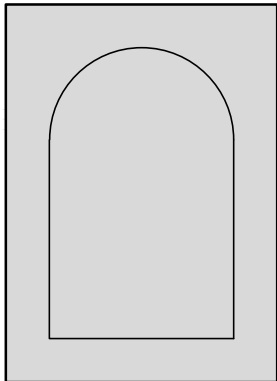
A6001  
Square Door



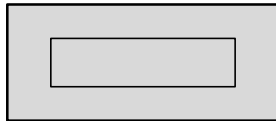
A6002  
Windsor Arch Door



A6003  
Cathedral Arch Door



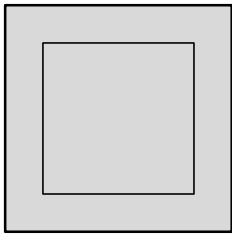
A6004  
Half Circle Arch Door



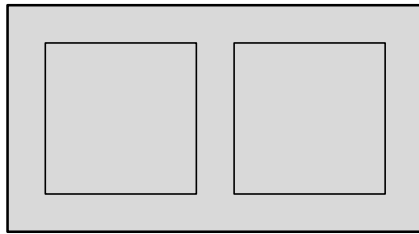
A6005  
Square Drawer Front



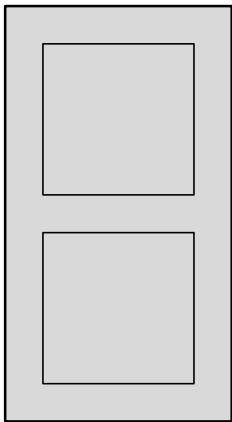
## One Piece HDF Panel Options



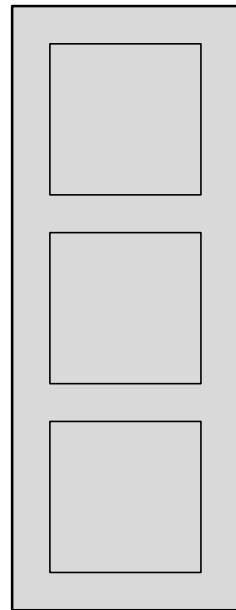
1



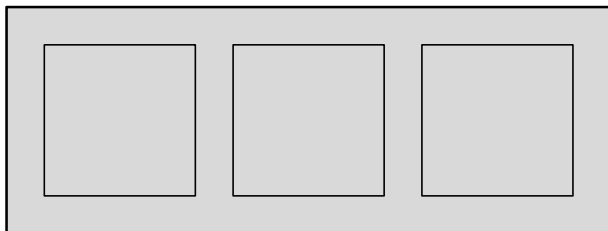
2V



2

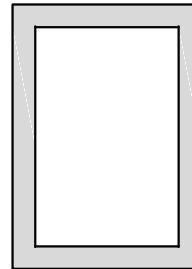


3

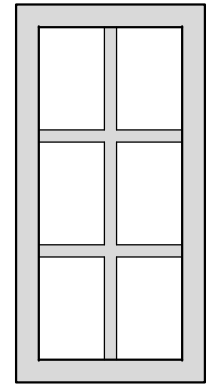


3V

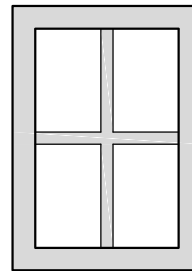
## One Piece HDF Frame & Mullion Options



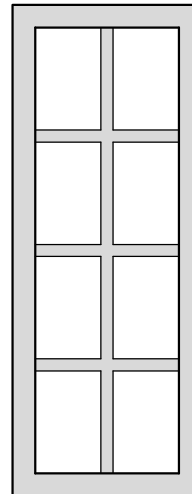
FRM



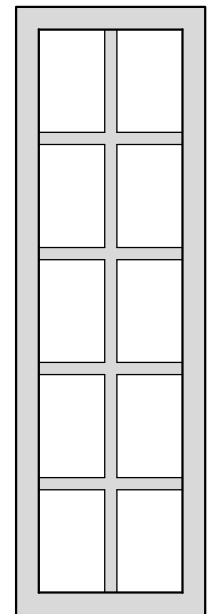
F23



F22



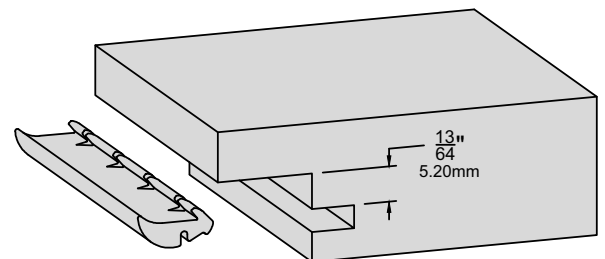
F24



F25

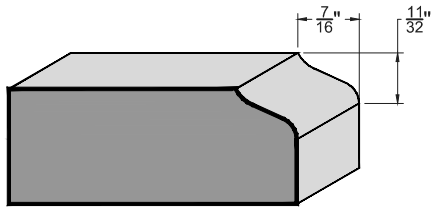
4  
HDF  
PRODUCTS

### Rubber Glass Retainer Molding

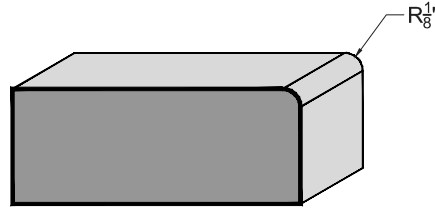


# Edge Profiles

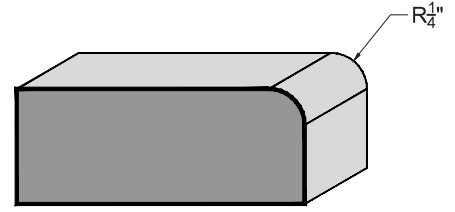
**NOTE:** \*The 5 piece construction HDF doors are only available with these edge profiles.



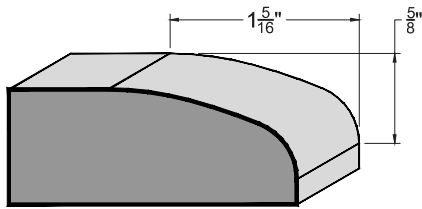
**A**



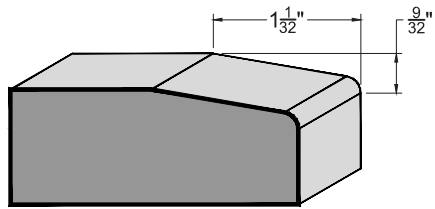
**\*B**



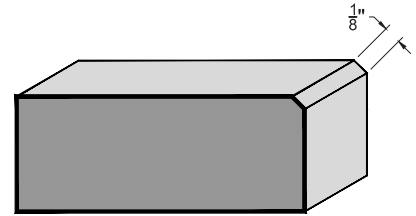
**C**



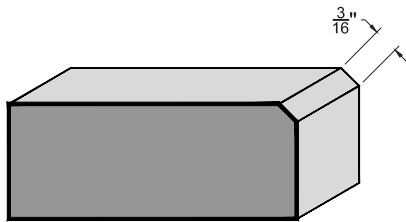
**D02**



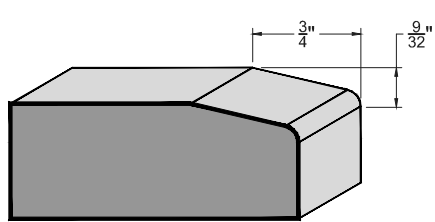
**D03**



**\*D04**



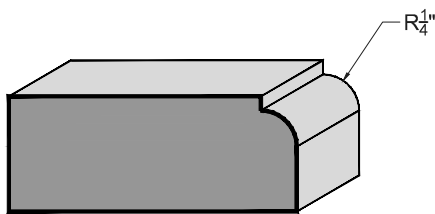
**\*D13**



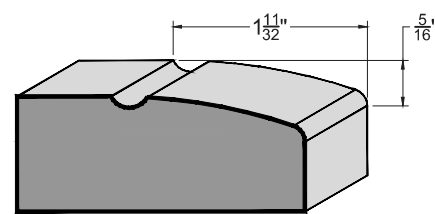
**D21**



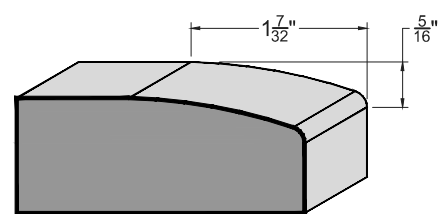
**\*I**



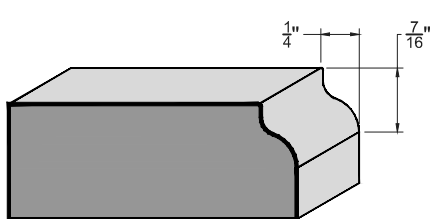
**J**



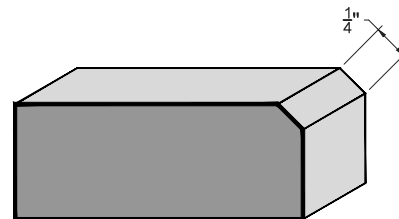
**N**



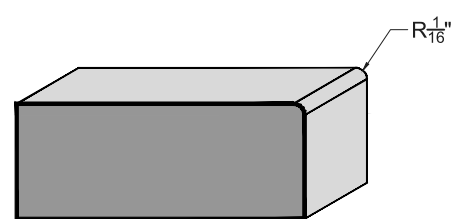
**O**



**S**



**\*V**



**Z**

4  
HDF  
PRODUCTS