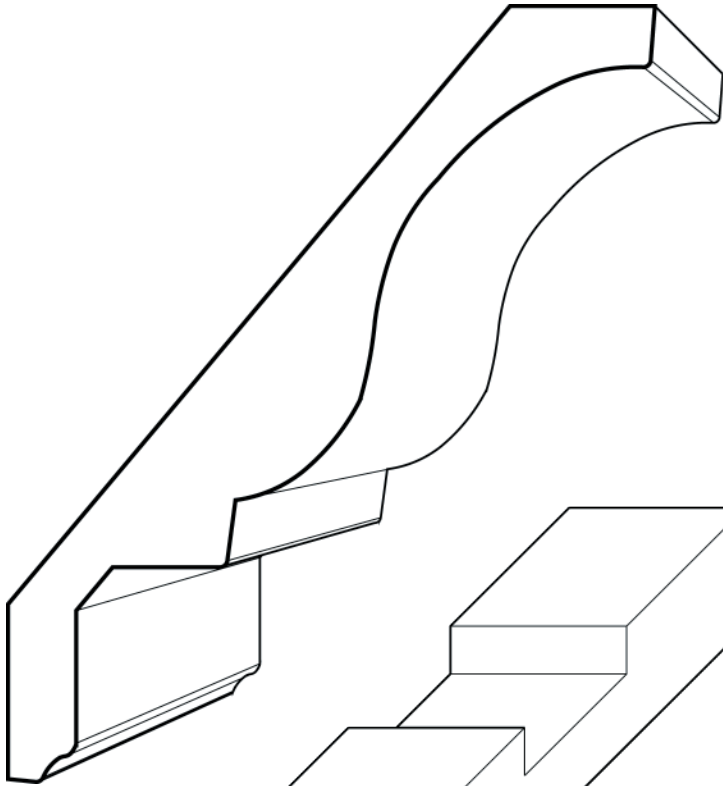
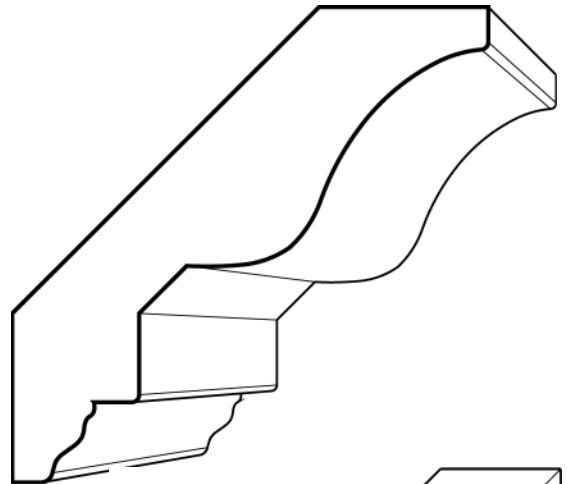


# WOOD MOLDING

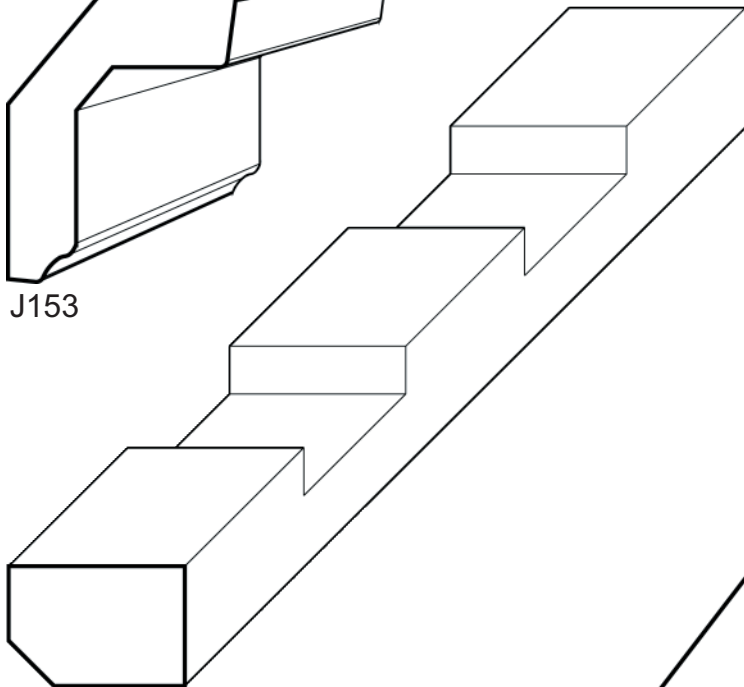
## Dentil Crown and Inserts



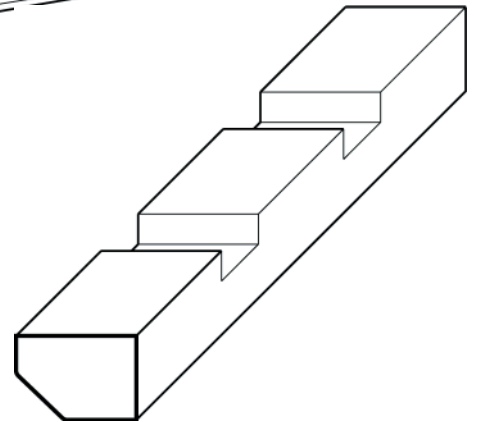
J153



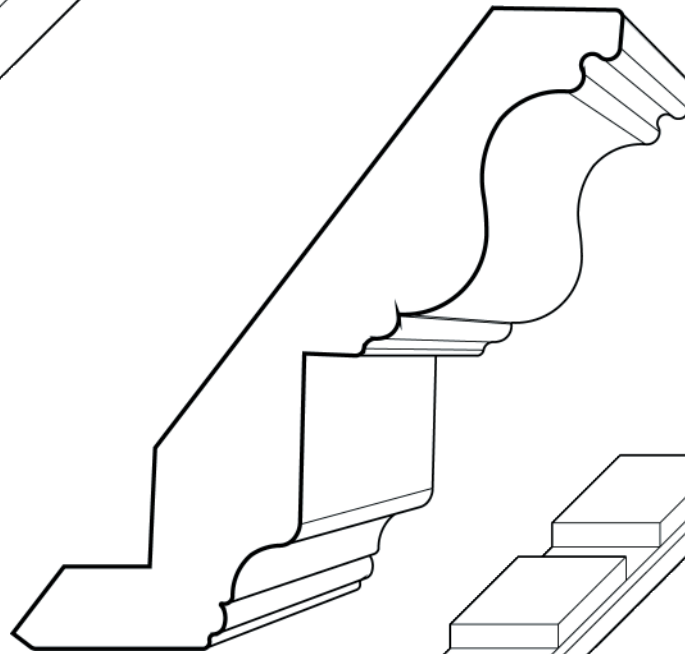
J154



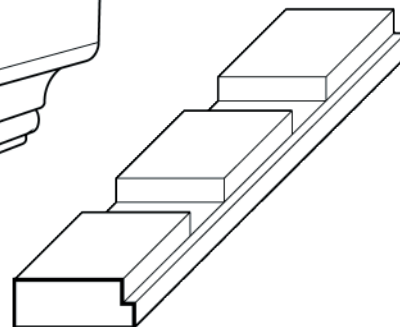
J156



J155

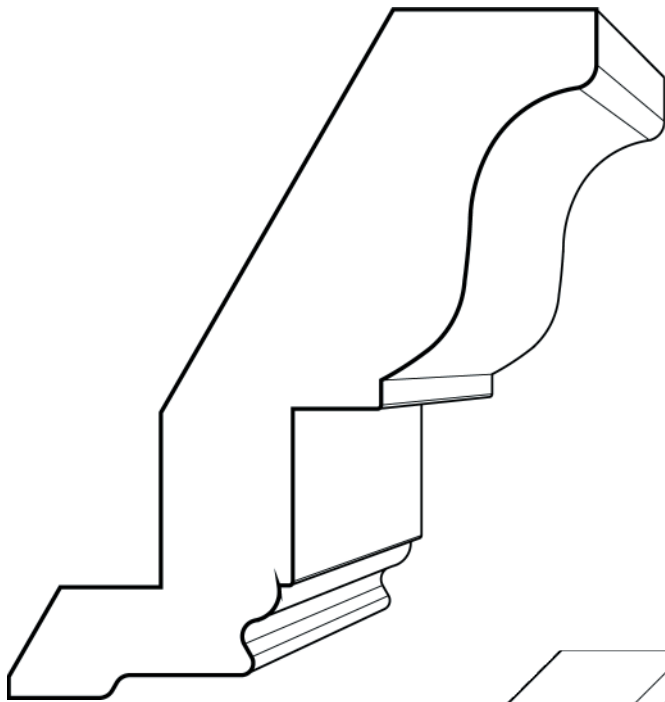


J248

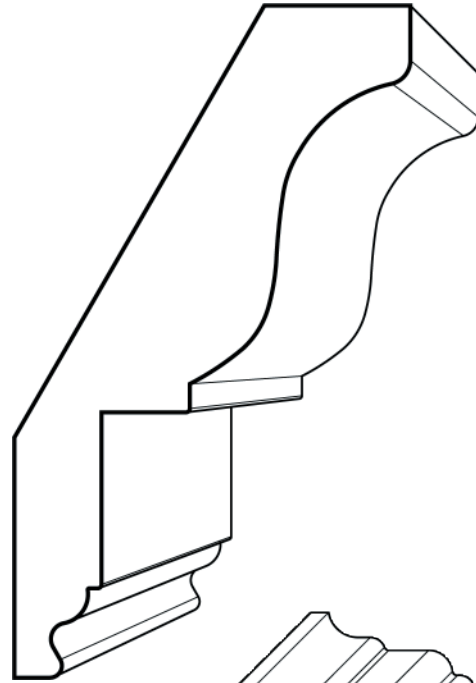


J047

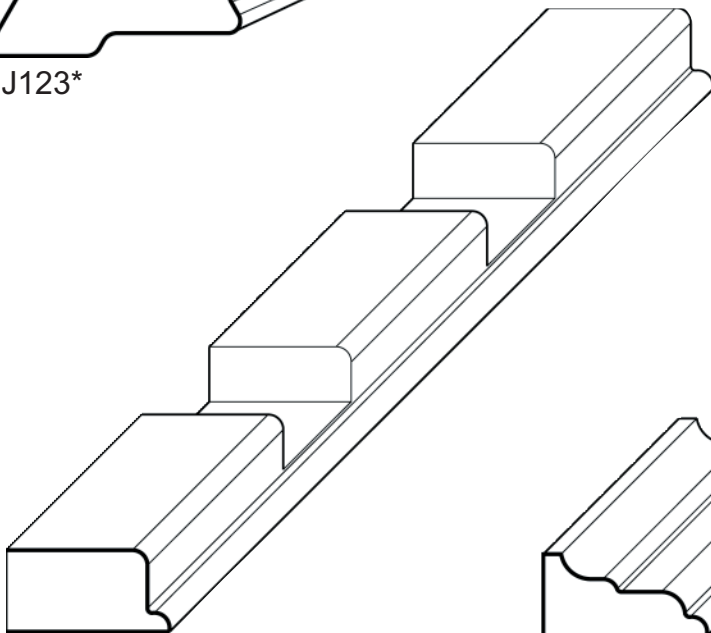
Dentil Crown and Inserts



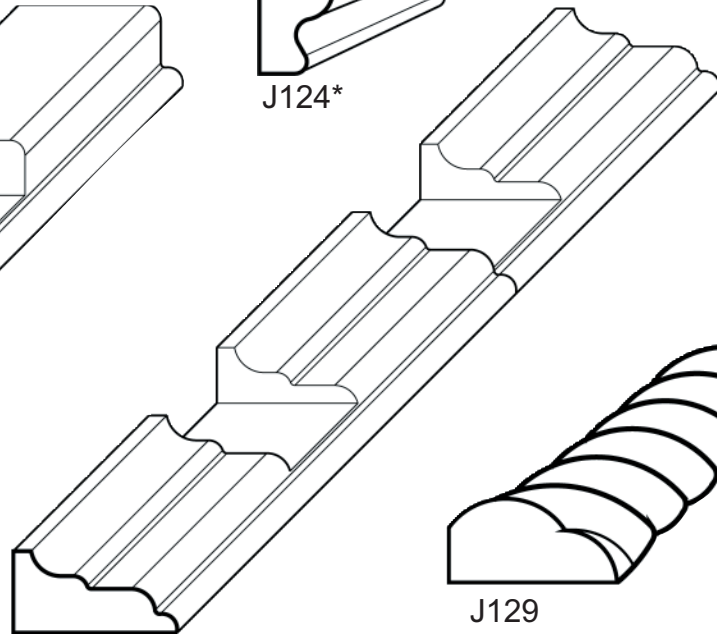
J123\*



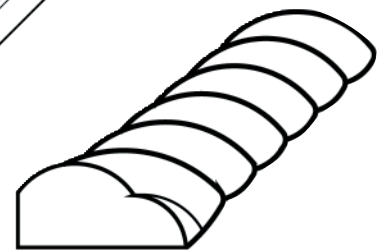
J124\*



J126\*

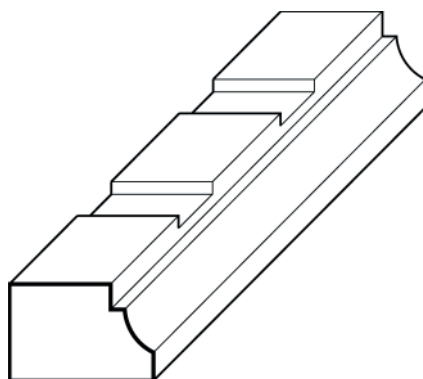


J125\*

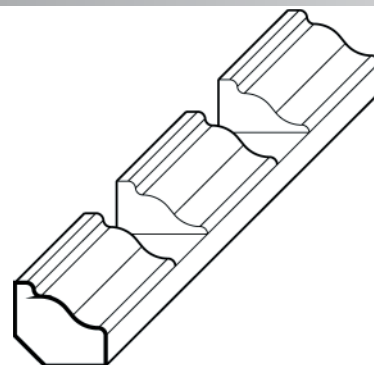


J129

Miscellaneous Dentil Molding



J132



J1029