



RIGID THERMOFOIL

5 RIGID THERMOFOIL
PRODUCTS

PRODUCTS

RTF doors, moldings and accessories are available in a vast array of colors ranging from classic white to realistic wood grain to abstract prints.

Warranty

Elias Woodwork guarantees thermofoil doors and accessories against yellowing, delamination or any apparent hidden defect that might affect their quality or cause premature deterioration for a period of 5 years from date of shipment. This guarantee does not apply to any deterioration of the product resulting from normal wear, or when damages are caused by:

- improper installation or exposure to the elements
- any alteration, modification or transformation of the product
- exposure to temperatures above 85° C (185°F)

Tolerances

Elias Woodwork warrants that its RTF & MDF cabinet doors have a size tolerance of +/- 1mm.

Production Lead Times

Standard order lead times are 7-10 business days depending on workload.

Rush Orders

Rush orders have a lead time of 3-5 business days.

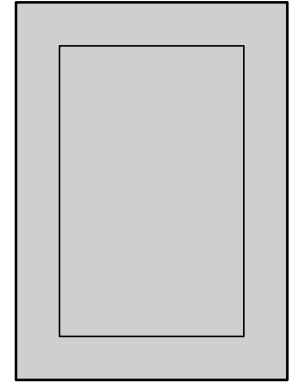
RTF PRODUCT CARE & HANDLING

RTF products can be kept looking like new, but proper cleaning materials need to be used. Such as: Methyl Hydrate, nonabrasive soap and water, or denatured alcohol and water. Do not use lacquer thinners or any other product containing acetone, or any abrasive rubbing material or cleaner. Due to extremely high temperatures vented from self-cleaning ovens, it is recommended that a filler be installed between any door & drawer front and a self-cleaning oven. Customers are also advised to open all doors and drawer fronts near the self-cleaning oven when the oven is in self-cleaning mode. Exposure to temperatures above 85°C (185°F) is not covered by warranty. High Gloss RTF products come with a protective film and are not to be stored in direct sunlight which can make the film hard to remove later.

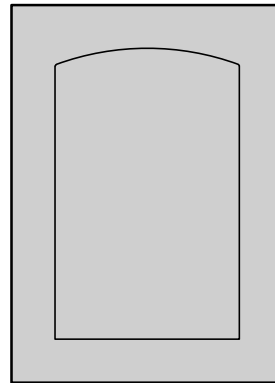
Route Patterns



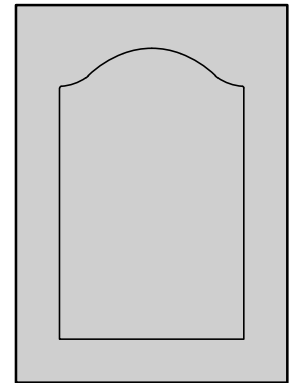
A6000
Square Door



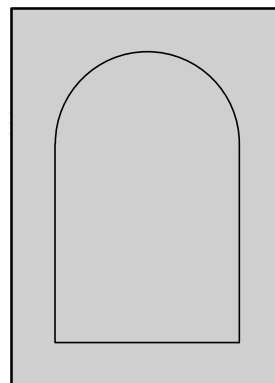
A6001
Square Door



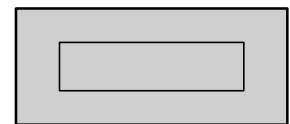
A6002
Windsor Arch Door



A6003
Cathedral Arch Door

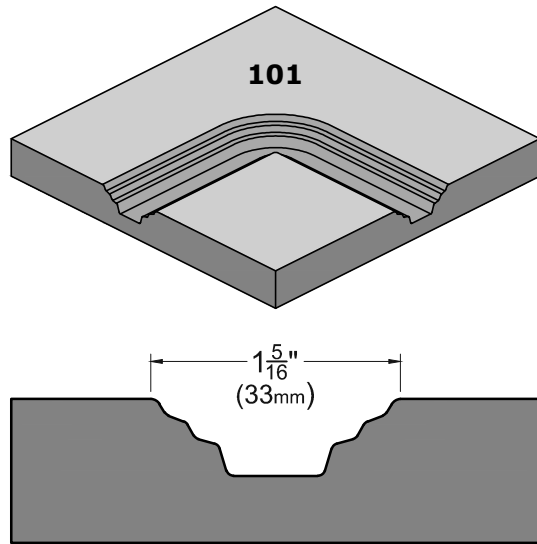


A6004
Half Circle Arch Door

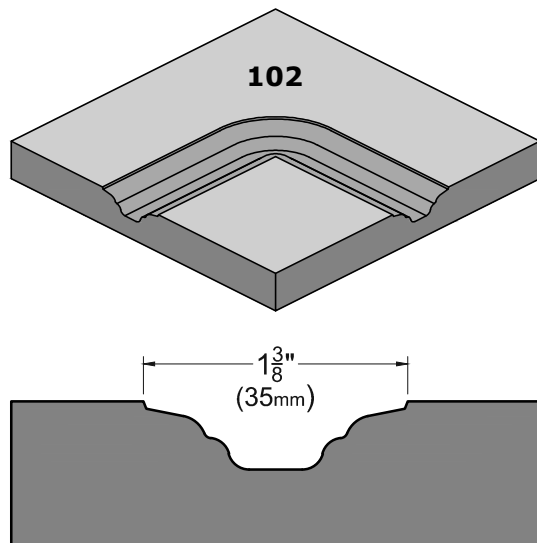


A6005
Square Drawer Front

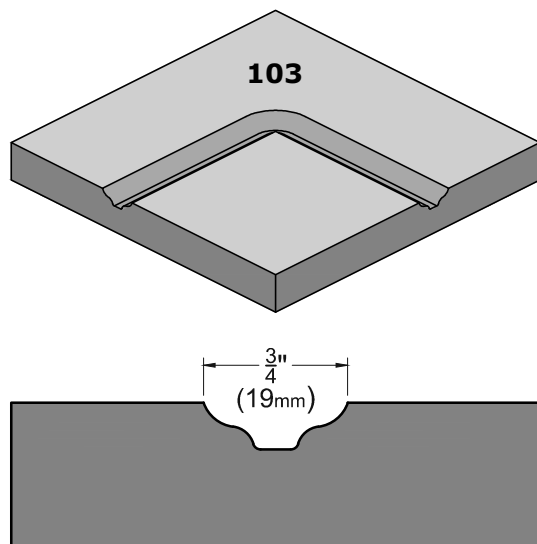
Routed Groove Profiles



Route Pattern	Stile Width	Min. Width	Min. Height	Frame Options	Mullion Options
A6001	2 ⁵ / ₈ " (67.5mm)	7 ¹ / ₂ " (190mm)	7 ¹ / ₂ " (190mm)	Yes	Yes
A6002	2 ⁵ / ₈ " (67.5mm)	7 ¹ / ₂ " (190mm)	8 ¹ / ₈ " (206mm)	Yes	Yes
A6003	2 ⁵ / ₈ " (67.5mm)	9 ³ / ₁₆ " (233mm)	8 ⁷ / ₁₆ " (214mm)	Yes	Yes
A6004	2 ⁵ / ₈ " (67.5mm)	7 ¹ / ₂ " (190mm)	7 ¹ / ₂ " (190mm)	Yes	Yes
A6005	2 ⁵ / ₈ " (67.5mm)	7 ¹ / ₂ " (190mm)	5 ¹ / ₁₆ " (128mm)	Yes	No



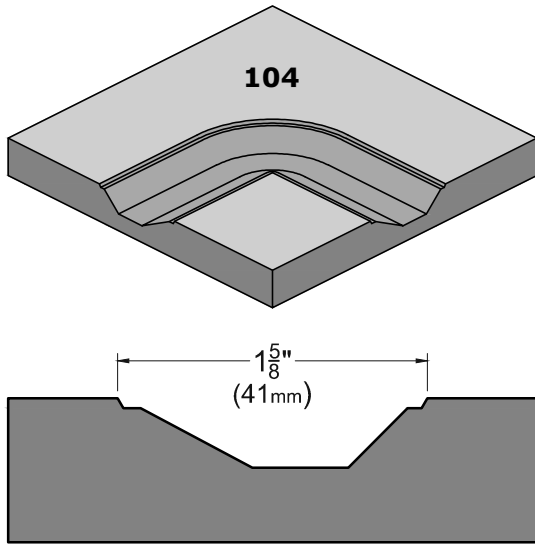
Route Pattern	Stile Width	Min. Width	Min. Height	Frame Options	Mullion Options
A6001	2 ⁵ / ₈ " (68.1mm)	7 ¹ / ₂ " (190mm)	7 ¹ / ₂ " (190mm)	Yes	Yes
A6002	2 ⁵ / ₈ " (68.1mm)	7 ¹ / ₂ " (190mm)	8 ¹ / ₈ " (206mm)	Yes	Yes
A6003	2 ⁵ / ₈ " (68.1mm)	9 ³ / ₁₆ " (233mm)	8 ⁷ / ₁₆ " (214mm)	Yes	Yes
A6004	2 ⁵ / ₈ " (68.1mm)	7 ¹ / ₂ " (190mm)	7 ¹ / ₂ " (190mm)	Yes	Yes
A6005	2 ⁵ / ₈ " (68.1mm)	7 ¹ / ₂ " (190mm)	5 ¹ / ₁₆ " (128mm)	No	No



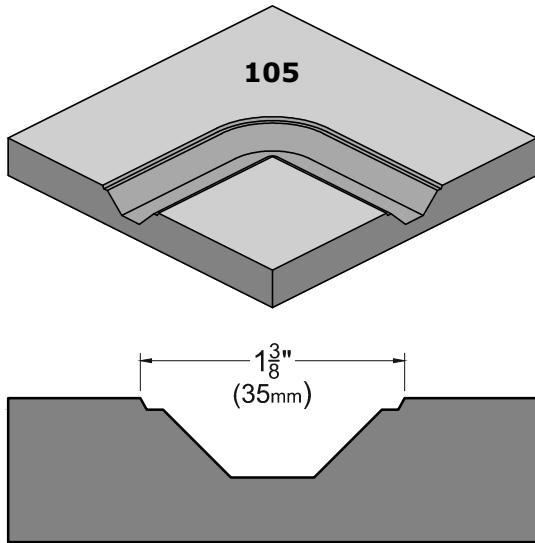
Route Pattern	Stile Width	Min. Width	Min. Height	Frame Options	Mullion Options
A6001	2 ¹ / ₂ " (63.5mm)	6 ³ / ₁₆ " (157mm)	6 ³ / ₁₆ " (157mm)	Yes	No
A6002	2 ¹ / ₂ " (63.5mm)	6 ³ / ₁₆ " (157mm)	6 ¹³ / ₁₆ " (173mm)	Yes	No
A6003	2 ¹ / ₂ " (63.5mm)	9 ³ / ₁₆ " (233mm)	8 ⁷ / ₁₆ " (214mm)	Yes	No
A6004	2 ¹ / ₂ " (63.5mm)	6 ³ / ₁₆ " (157mm)	6 ³ / ₁₆ " (157mm)	Yes	No
A6005	2 ¹ / ₂ " (63.5mm)	6 ³ / ₁₆ " (157mm)	3 ³ / ₄ " (95mm)	No	No

RIGID THERMOFOIL PRODUCTS _____

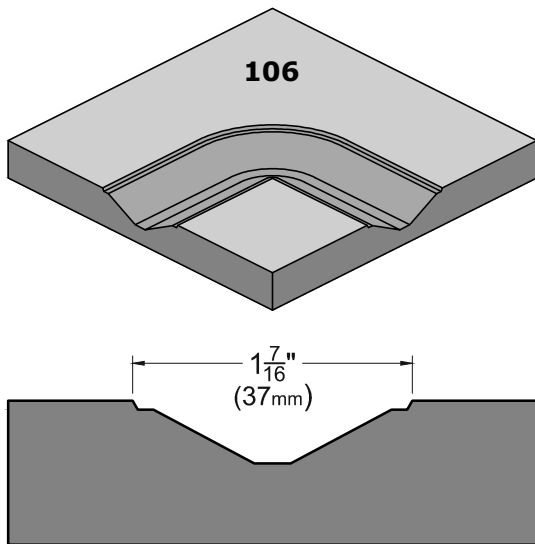
Routed Groove Profiles



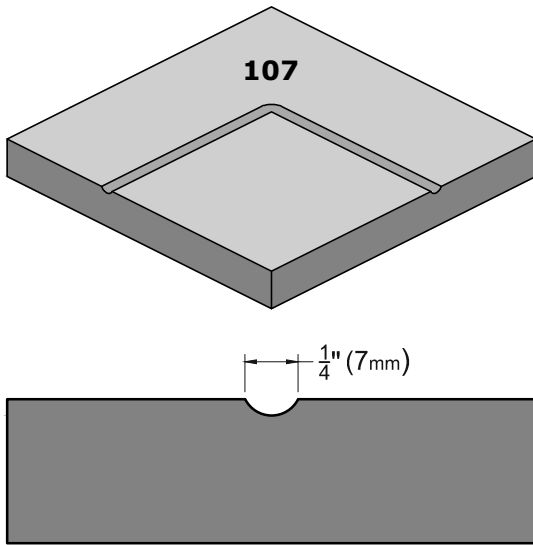
Route Pattern	Stile Width	Min. Width	Min. Height	Frame Options	Mullion Options
A6001	2 5/8" (67.4mm)	8 1/4" (209mm)	8 1/4" (209mm)	Yes	Yes
A6002	2 5/8" (67.4mm)	8 1/4" (209mm)	8 7/8" (225mm)	Yes	Yes
A6003	2 5/8" (67.4mm)	9 13/16" (249mm)	9 3/16" (233mm)	Yes	Yes
A6004	2 5/8" (67.4mm)	8 1/4" (209mm)	8 1/4" (209mm)	Yes	Yes
A6005	2 5/8" (67.4mm)	8 1/4" (209mm)	5 3/4" (147mm)	No	No



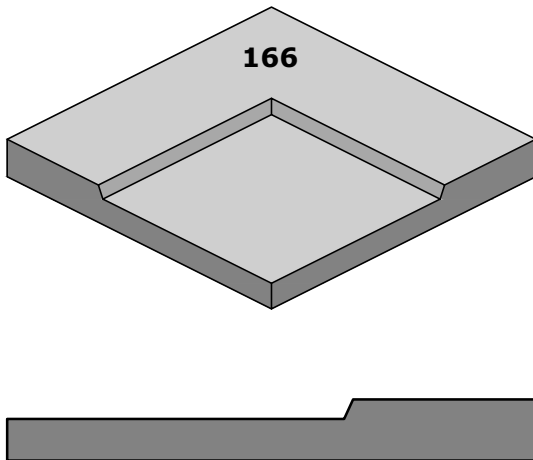
Route Pattern	Stile Width	Min. Width	Min. Height	Frame Options	Mullion Options
A6001	2 5/8" (67.4mm)	7 5/16" (186mm)	7 5/16" (186mm)	Yes	Yes
A6002	2 5/8" (67.4mm)	7 5/16" (186mm)	7 15/16" (202mm)	Yes	Yes
A6003	2 5/8" (67.4mm)	9 7/16" (239mm)	8 1/4" (210mm)	Yes	Yes
A6004	2 5/8" (67.4mm)	7 5/16" (186mm)	7 5/16" (186mm)	Yes	Yes
A6005	2 5/8" (67.4mm)	7 5/16" (186mm)	4 7/8" (124mm)	No	No



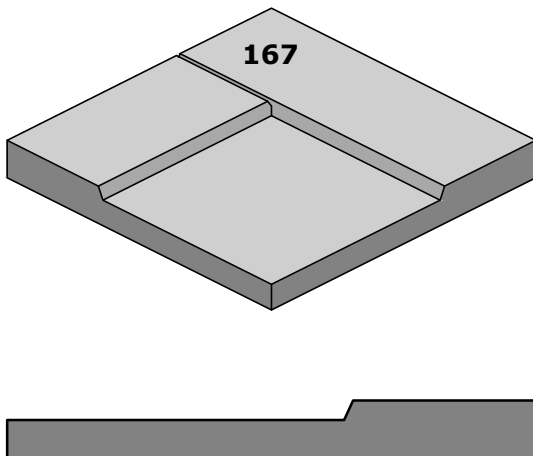
Route Pattern	Stile Width	Min. Width	Min. Height	Frame Options	Mullion Options
A6001	2 5/8" (67.9mm)	7 9/16" (192.1mm)	7 9/16" (192.1mm)	Yes	Yes
A6002	2 5/8" (67.9mm)	7 9/16" (192.1mm)	8 3/16" (208.1mm)	Yes	Yes
A6003	2 5/8" (67.9mm)	8 5/16" (211mm)	8 1/2" (216.1mm)	Yes	Yes
A6004	2 5/8" (67.9mm)	7 9/16" (192.1mm)	7 9/16" (192.1mm)	Yes	Yes
A6005	2 5/8" (67.9mm)	7 9/16" (192.1mm)	5 5/8" (142.5mm)	No	No



Route Pattern	Stile Width	Min. Width	Min. Height	Frame Options	Mullion Options
A6001	2 1/4" (57mm)	3 5/16" (135mm)	3 5/16" (135mm)	No	No
A6002	2 1/4" (57mm)	5 5/16" (135mm)	5 15/16" (151mm)	No	No
A6003	2 1/4" (57mm)	9 3/16" (233mm)	6 1/4" (159mm)	No	No
A6004	2 1/4" (57mm)	3 5/16" (135mm)	3 5/16" (135mm)	No	No
A6005	2 1/4" (57mm)	3 5/16" (135mm)	2 7/8" (73mm)	No	No



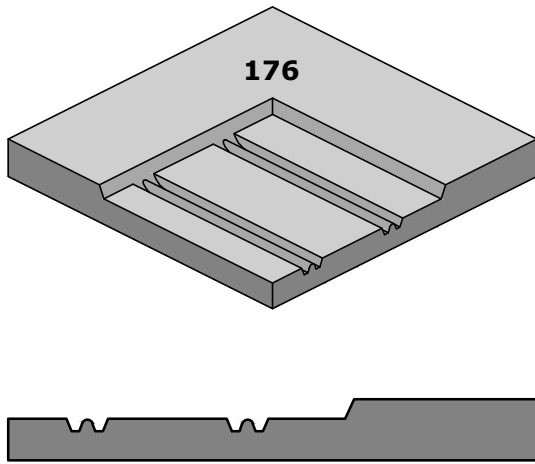
Route Pattern	Stile Width	Min. Width	Min. Height	Frame Options	Mullion Options
A6001	2 1/4" (57mm)	3 5/16" (135mm)	3 5/16" (135mm)	Yes	Yes
A6002	2 1/4" (57mm)	3 5/16" (135mm)	5 15/16" (151mm)	Yes	Yes
A6003	2 1/4" (57mm)	9 3/16" (233mm)	6 1/4" (159mm)	Yes	Yes
A6004	2 1/4" (57mm)	3 5/16" (135mm)	3 5/16" (135mm)	Yes	Yes
A6005	2 1/4" (57mm)	3 5/16" (135mm)	4 5/16" (109mm)	No	No



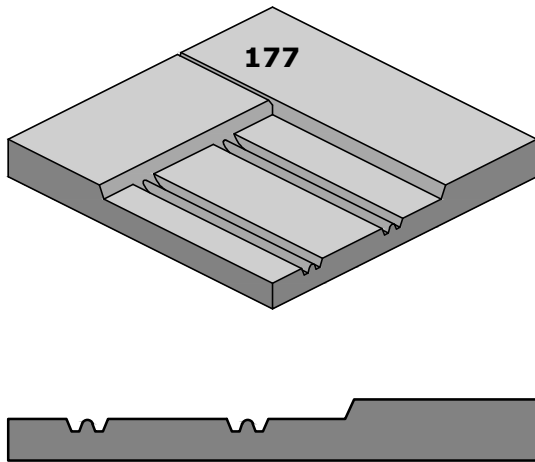
Route Pattern	Stile Width	Min. Width	Min. Height	Frame Options	Mullion Options
A6001	2 1/4" (57mm)	3 5/16" (135mm)	3 5/16" (135mm)	Yes	Yes
A6002	2 1/4" (57mm)	3 5/16" (135mm)	5 15/16" (151mm)	Yes	Yes
A6003	2 1/4" (57mm)	9 3/16" (233mm)	6 1/4" (159mm)	Yes	Yes
A6004	2 1/4" (57mm)	3 5/16" (135mm)	3 5/16" (135mm)	Yes	Yes
A6005	2 1/4" (57mm)	3 5/16" (135mm)	4 5/16" (109mm)	No	No

RIGID THERMOFOIL PRODUCTS _____

Routed Groove Profiles

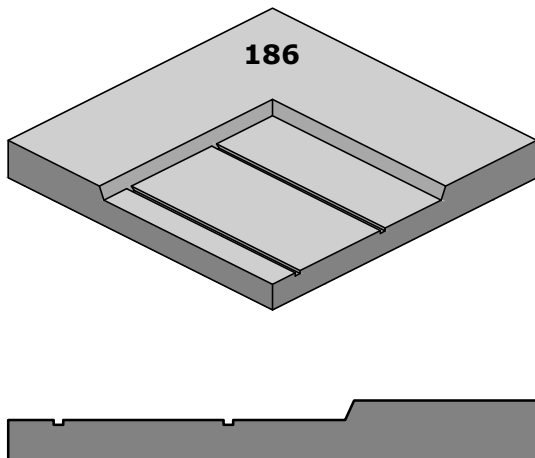


Route Pattern	Stile Width	Min. Width	Min. Height	Frame Options	Mullion Options
A6001	2¼" (57mm)	6¾" (172mm)	3 ⁵ / ₁₆ " (135mm)	Yes	Yes
A6002	2¼" (57mm)	6¾" (172mm)	5 ¹⁵ / ₁₆ " (151mm)	Yes	Yes
A6003	2¼" (57mm)	9 ³ / ₁₆ " (233mm)	6¼" (159mm)	Yes	Yes
A6004	2¼" (57mm)	6¾" (172mm)	3 ⁵ / ₁₆ " (135mm)	Yes	Yes
A6005	2¼" (57mm)	6¾" (172mm)	4 ⁵ / ₁₆ " (109mm)	No	No

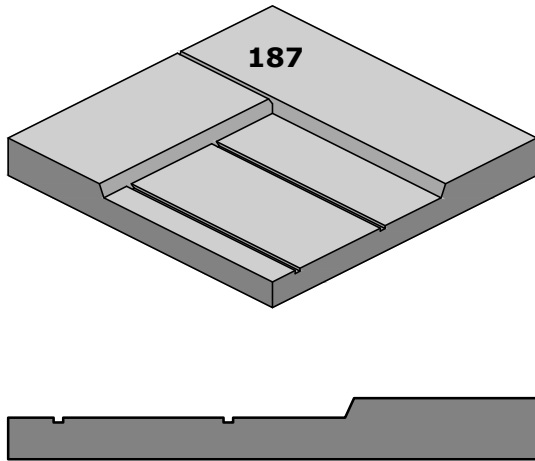


Route Pattern	Stile Width	Min. Width	Min. Height	Frame Options	Mullion Options
A6001	2¼" (57mm)	6¾" (172mm)	3 ⁵ / ₁₆ " (135mm)	Yes	Yes
A6002	2¼" (57mm)	6¾" (172mm)	3 ⁵ / ₁₆ " (135mm)	Yes	Yes
A6003	2¼" (57mm)	9 ³ / ₁₆ " (233mm)	6¼" (159mm)	Yes	Yes
A6004	2¼" (57mm)	6¾" (172mm)	3 ⁵ / ₁₆ " (135mm)	Yes	Yes
A6005	2¼" (57mm)	6¾" (172mm)	4 ⁵ / ₁₆ " (109mm)	No	No

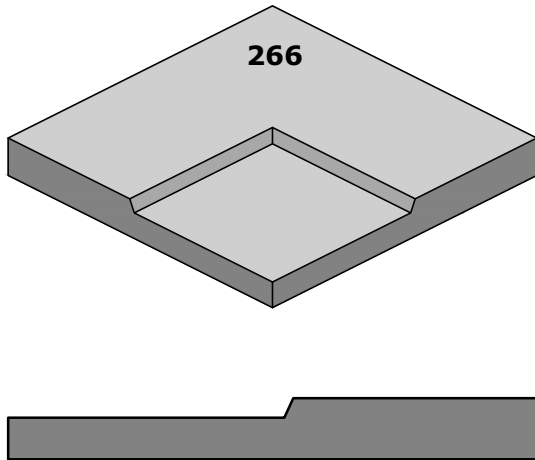
5 RIGID THERMOFOIL PRODUCTS



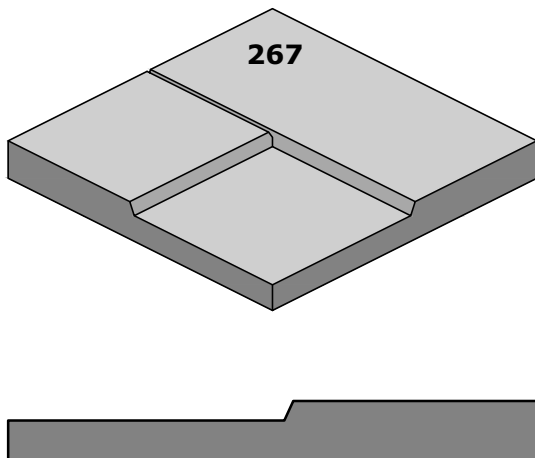
Route Pattern	Stile Width	Min. Width	Min. Height	Frame Options	Mullion Options
A6001	2¼" (57mm)	6¾" (172mm)	3 ⁵ / ₁₆ " (135mm)	Yes	Yes
A6002	2¼" (57mm)	6¾" (172mm)	5 ¹⁵ / ₁₆ " (151mm)	Yes	Yes
A6003	2¼" (57mm)	9 ³ / ₁₆ " (233mm)	6¼" (159mm)	Yes	Yes
A6004	2¼" (57mm)	6¾" (172mm)	3 ⁵ / ₁₆ " (135mm)	Yes	Yes
A6005	2¼" (57mm)	6¾" (172mm)	4 ⁵ / ₁₆ " (109mm)	No	No



Route Pattern	Stile Width	Min. Width	Min. Height	Frame Options	Mullion Options
A6001	2¼" (57mm)	6¾" (172mm)	3 ⁵ / ₁₆ " (135mm)	Yes	Yes
A6002	2¼" (57mm)	6¾" (172mm)	5 ¹⁵ / ₁₆ " (151mm)	Yes	Yes
A6003	2¼" (57mm)	9 ³ / ₁₆ " (233mm)	6¼" (159mm)	Yes	Yes
A6004	2¼" (57mm)	6¾" (172mm)	3 ⁵ / ₁₆ " (135mm)	Yes	Yes
A6005	2¼" (57mm)	6¾" (172mm)	4 ⁵ / ₁₆ " (109mm)	No	No



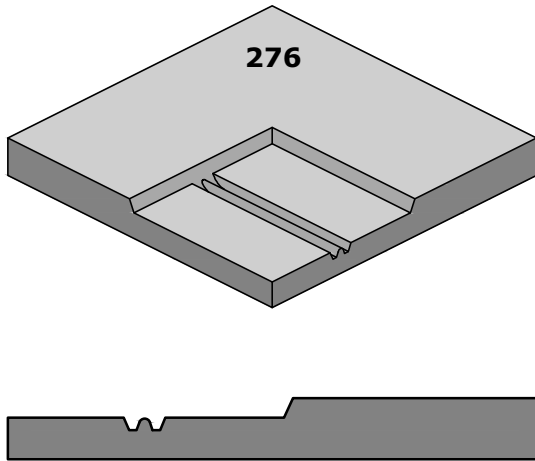
Route Pattern	Stile Width	Min. Width	Min. Height	Frame Options	Mullion Options
A6001	3" (76mm)	6 ¹³ / ₁₆ " (173mm)	6 ¹³ / ₁₆ " (173mm)	Yes	Yes
A6002	3" (76mm)	6 ¹³ / ₁₆ " (173mm)	7 ⁷ / ₁₆ " (189mm)	Yes	Yes
A6003	3" (76mm)	10 ¹¹ / ₁₆ " (271mm)	7 ³ / ₄ " (197mm)	Yes	Yes
A6004	3" (76mm)	6 ¹³ / ₁₆ " (173mm)	6 ¹³ / ₁₆ " (173mm)	Yes	Yes
A6005	3" (76mm)	6 ¹³ / ₁₆ " (173mm)	5 ¹³ / ₁₆ " (147mm)	No	No



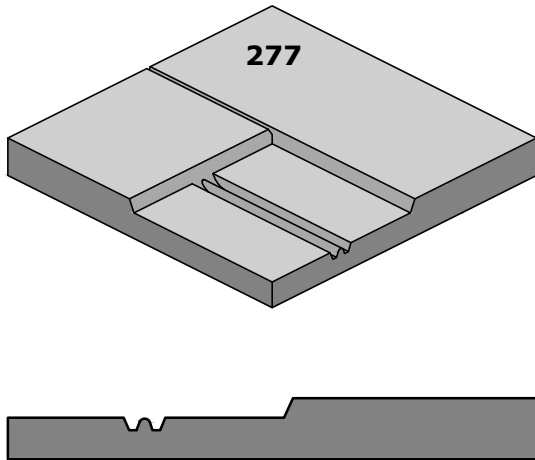
Route Pattern	Stile Width	Min. Width	Min. Height	Frame Options	Mullion Options
A6001	3" (76mm)	6 ¹³ / ₁₆ " (173mm)	6 ¹³ / ₁₆ " (173mm)	Yes	Yes
A6002	3" (76mm)	6 ¹³ / ₁₆ " (173mm)	7 ⁷ / ₁₆ " (189mm)	Yes	Yes
A6003	3" (76mm)	10 ¹¹ / ₁₆ " (271mm)	7 ³ / ₄ " (197mm)	Yes	Yes
A6004	3" (76mm)	6 ¹³ / ₁₆ " (173mm)	6 ¹³ / ₁₆ " (173mm)	Yes	Yes
A6005	3" (76mm)	6 ¹³ / ₁₆ " (173mm)	5 ¹³ / ₁₆ " (147mm)	No	No

RIGID THERMOFOIL PRODUCTS _____

Routed Groove Profiles

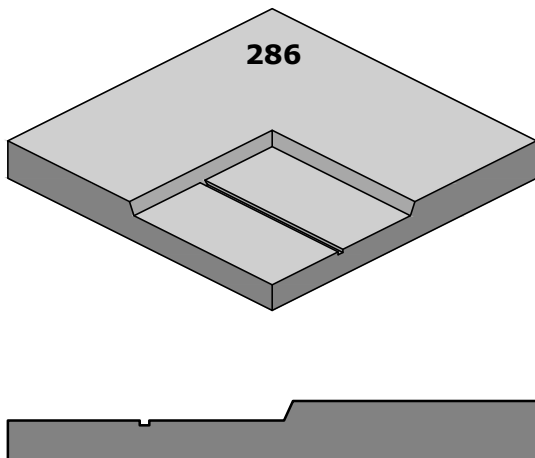


Route Pattern	Stile Width	Min. Width	Min. Height	Frame Options	Mullion Options
A6001	3" (76mm)	8¼" (210mm)	6 ¹³ / ₁₆ " (173mm)	Yes	Yes
A6002	3" (76mm)	8¼" (210mm)	7 ⁷ / ₁₆ " (189mm)	Yes	Yes
A6003	3" (76mm)	10 ¹¹ / ₁₆ " (271mm)	7¾" (197mm)	Yes	Yes
A6004	3" (76mm)	8¼" (210mm)	6 ¹³ / ₁₆ " (173mm)	Yes	Yes
A6005	3" (76mm)	8¼" (210mm)	5 ¹³ / ₁₆ " (147mm)	No	No

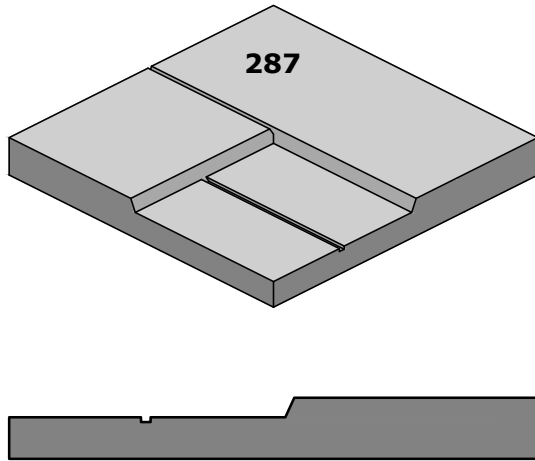


Route Pattern	Stile Width	Min. Width	Min. Height	Frame Options	Mullion Options
A6001	3" (76mm)	8¼" (210mm)	6 ¹³ / ₁₆ " (173mm)	Yes	Yes
A6002	3" (76mm)	8¼" (210mm)	7 ⁷ / ₁₆ " (189mm)	Yes	Yes
A6003	3" (76mm)	10 ¹¹ / ₁₆ " (271mm)	7¾" (197mm)	Yes	Yes
A6004	3" (76mm)	8¼" (210mm)	6 ¹³ / ₁₆ " (173mm)	Yes	Yes
A6005	3" (76mm)	8¼" (210mm)	5 ¹³ / ₁₆ " (147mm)	No	No

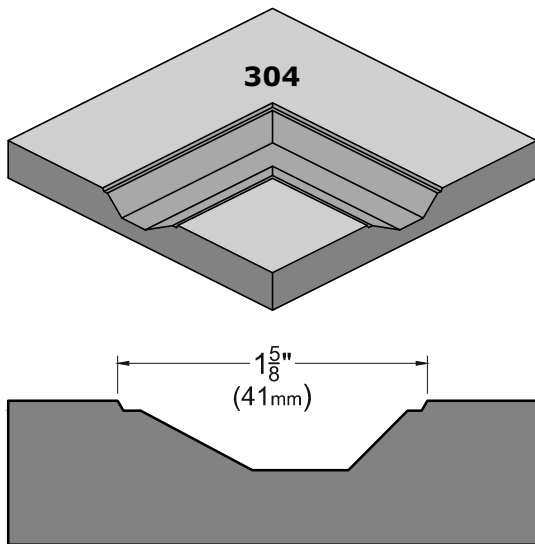
5 RIGID THERMOFOIL PRODUCTS



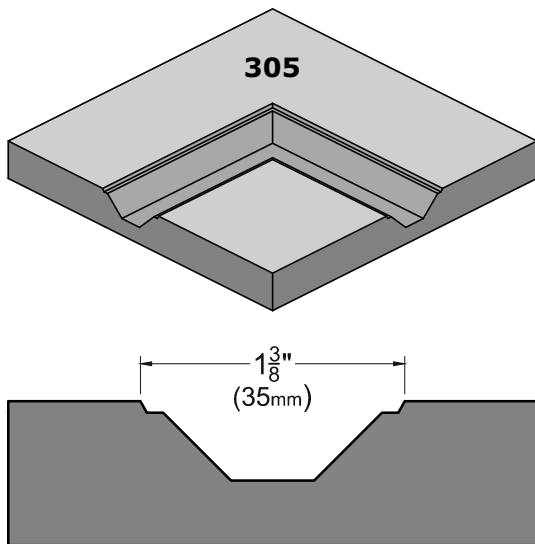
Route Pattern	Stile Width	Min. Width	Min. Height	Frame Options	Mullion Options
A6001	3" (76mm)	8¼" (210mm)	6 ¹³ / ₁₆ " (173mm)	Yes	Yes
A6002	3" (76mm)	8¼" (210mm)	7 ⁷ / ₁₆ " (189mm)	Yes	Yes
A6003	3" (76mm)	10 ¹¹ / ₁₆ " (271mm)	7¾" (197mm)	Yes	Yes
A6004	3" (76mm)	8¼" (210mm)	6 ¹³ / ₁₆ " (173mm)	Yes	Yes
A6005	3" (76mm)	8¼" (210mm)	5 ¹³ / ₁₆ " (147mm)	No	No



Route Pattern	Stile Width	Min. Width	Min. Height	Frame Options	Mullion Options
A6001	3" (76mm)	8¼" (210mm)	6 ¹³ / ₁₆ " (173mm)	Yes	Yes
A6002	3" (76mm)	8¼" (210mm)	7 ⁷ / ₁₆ " (189mm)	Yes	Yes
A6003	3" (76mm)	10 ¹¹ / ₁₆ " (271mm)	7 ³ / ₄ " (197mm)	Yes	Yes
A6004	3" (76mm)	8¼" (210mm)	6 ¹³ / ₁₆ " (173mm)	Yes	Yes
A6005	3" (76mm)	8¼" (210mm)	5 ¹³ / ₁₆ " (147mm)	No	No

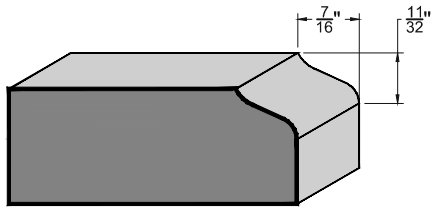


Route Pattern	Stile Width	Min. Width	Min. Height	Frame Options	Mullion Options
A6001	2 ⁵ / ₈ " (67.4mm)	8¼" (209mm)	8¼" (209mm)	Yes	Yes
A6002	2 ⁵ / ₈ " (67.4mm)	8¼" (209mm)	8 ¹⁵ / ₁₆ " (225mm)	Yes	Yes
A6003	2 ⁵ / ₈ " (67.4mm)	9 ¹³ / ₁₆ " (239mm)	9 ³ / ₁₆ " (233mm)	Yes	Yes
A6004	2 ⁵ / ₈ " (67.4mm)	8¼" (209mm)	8¼" (209mm)	Yes	Yes
A6005	2 ⁵ / ₈ " (67.4mm)	8¼" (209mm)	5 ¹³ / ₁₆ " (147mm)	No	No

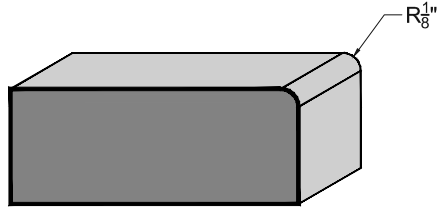


Route Pattern	Stile Width	Min. Width	Min. Height	Frame Options	Mullion Options
A6001	2 ⁵ / ₈ " (67.4mm)	7 ⁵ / ₁₆ " (186mm)	7 ⁵ / ₁₆ " (186mm)	Yes	Yes
A6002	2 ⁵ / ₈ " (67.4mm)	7 ⁵ / ₁₆ " (186mm)	7 ⁷ / ₁₆ " (289mm)	Yes	Yes
A6003	2 ⁵ / ₈ " (67.4mm)	9 ⁷ / ₁₆ " (239mm)	8¼" (210mm)	Yes	Yes
A6004	2 ⁵ / ₈ " (67.4mm)	7 ⁵ / ₁₆ " (186mm)	7 ⁵ / ₁₆ " (186mm)	Yes	Yes
A6005	2 ⁵ / ₈ " (67.4mm)	7 ⁵ / ₁₆ " (186mm)	4 ¹⁵ / ₁₆ " (124mm)	No	No

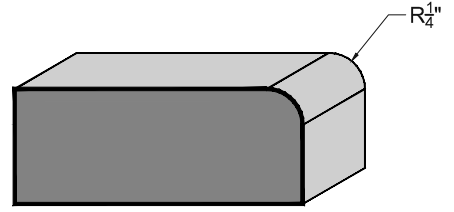
Edge Profiles



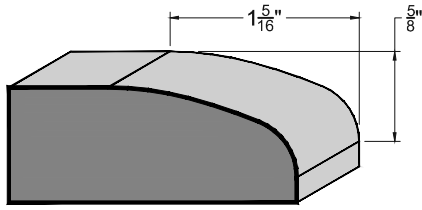
A



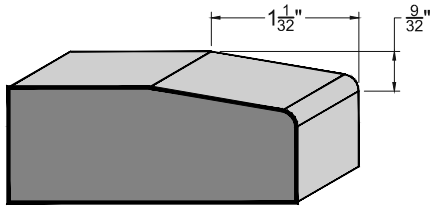
B



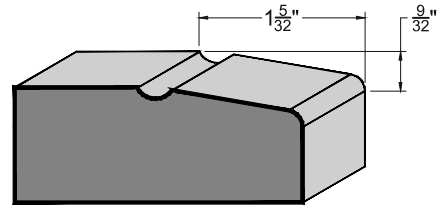
C



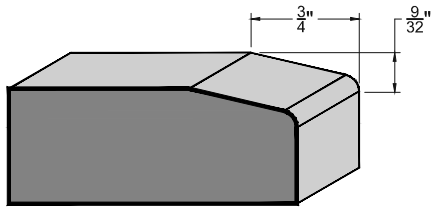
D02



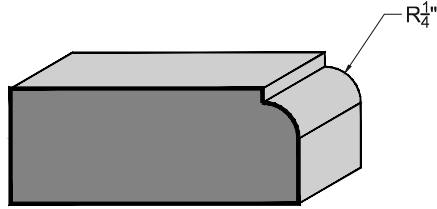
D03



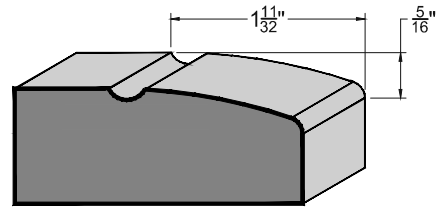
D39



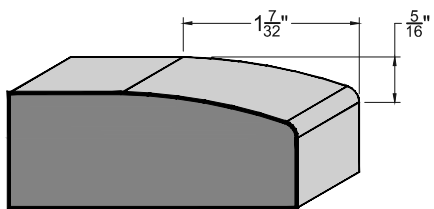
D21



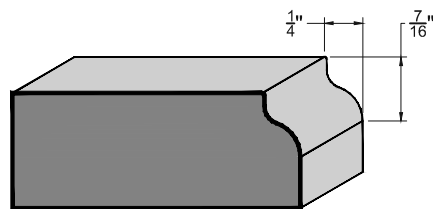
J



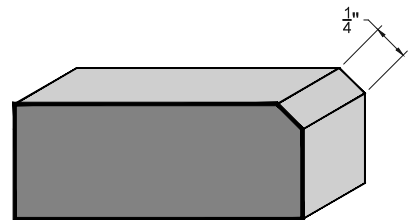
D41



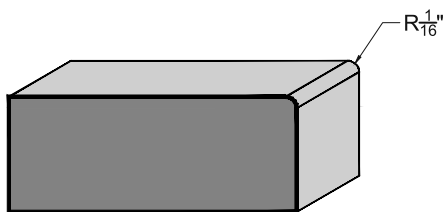
O



S

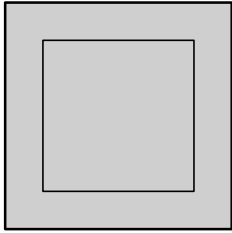


V

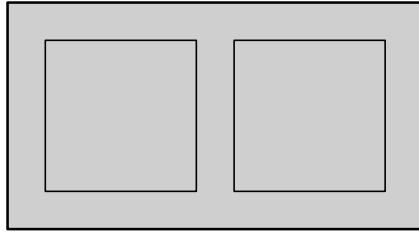


D40

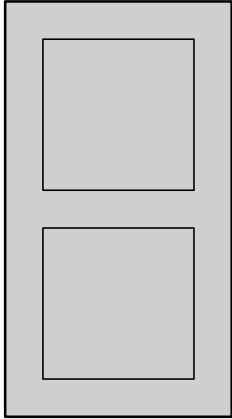
Panel Options



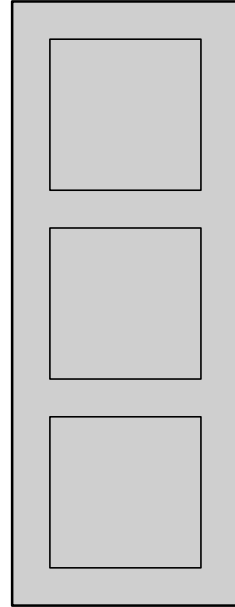
1



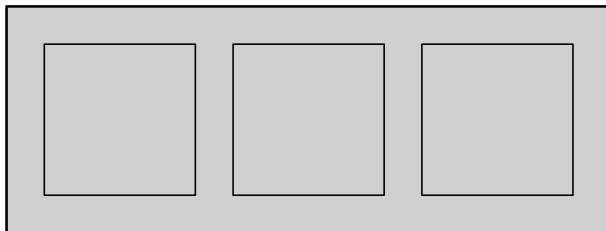
2V



2

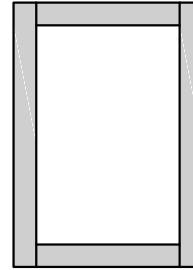


3

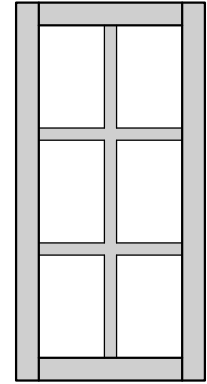


3V

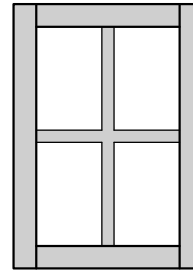
Frame & Mullion Options



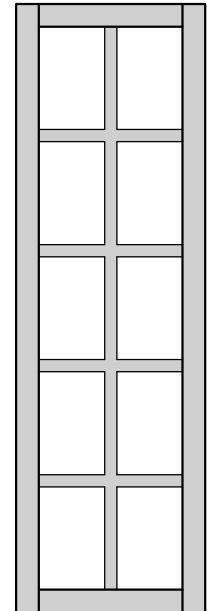
FRM



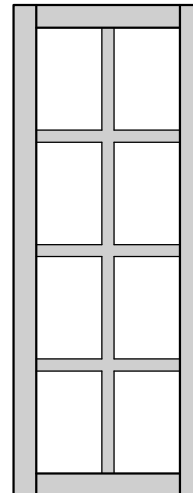
F23



F22



F25



F24

Sheet Goods

RTF 2' x 8' with pressure sensitive adhesive backer (PSA by 3M) are not available in cut-to-size pieces. All current RTF colors are available on a 2' x 8' PSA sheet.

RTF bonded to 1/8", 5.2mm, 3/8", 5/8" or 3/4" core is vinyl pressed on an MDF core. This product is cut-to-size only and can be ordered to a maximum size of 40" x 90". Available in all current RTF colors.

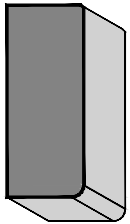
RTF Foil Only is vinyl that may also be ordered separately. The vinyl comes off a roll with a width of 54" x 96" length. Longer lengths are available upon request. Please see our website for a list of current colors.

High Pressure Laminate is available in 4' x 8' sheets or cut to size in several colors. Call for availability.

Moldings

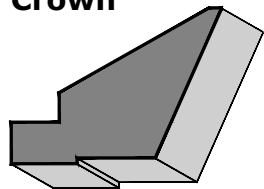
The following moldings are just a few of the more commonly ordered RTF moldings. See Wood Moldings on pages 124-170 for additional molding profiles. Speak to a Customer Service Specialist for more information and restrictions.

Light Rail



J1786
13/16" x 2"
(20.3 x 50.8mm)

Crown



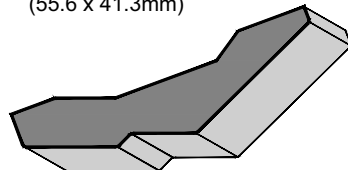
J004
2 3/16" x 1 5/8"
(55.6 x 41.3mm)



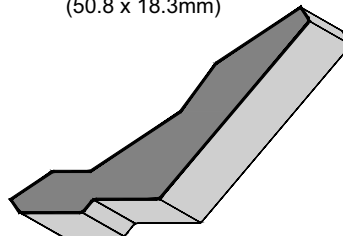
J877
2" x 1 1/16"
(50.8 x 18.3mm)



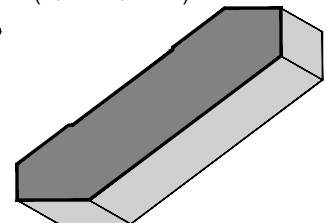
J104
3/4" x 3/4"
(19.1 x 19.1mm)



J1154
3 1/8" x 1 7/16"
(78.8 x 37.1mm)

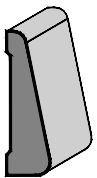


J1155
3 1/8" x 2 1/8"
(78.9 x 54.4mm)

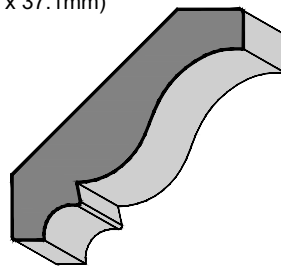


J293
2 3/4" x 2"
(69.9 x 50.8mm)

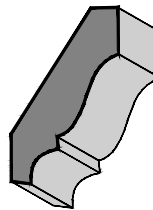
Casing/ Baseboard



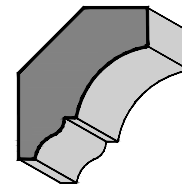
J616
7/16" x 1 1/2"
(11.5 x 38.1mm)



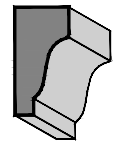
J809
2 3/8" x 2 3/8"
(61.1 x 61.1mm)



J807
1 1/8" x 1 13/16"
(28.3 x 46.7mm)



J127
1 3/8" x 1 9/16"
(34.2 x 40.1mm)

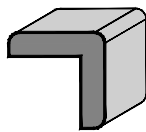


J810
9/16" x 1 1/8"
(14.3 x 28.6mm)

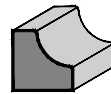
Corner



J203
1/2" x 1/2"
(12.7 x 12.7mm)

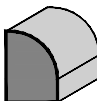


J209
1" x 1"
(25.4 x 25.4mm)



J213
5/8" x 5/8"
(15.9 x 15.9mm)

Scribe



J214
9/16" x 3/4"
(13.6 x 18.8mm)

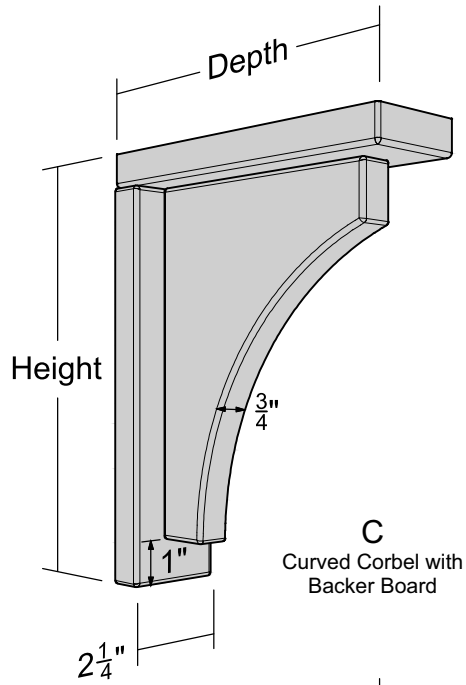


J861
1/4" x 3/4"
(6.4 x 19.1mm)

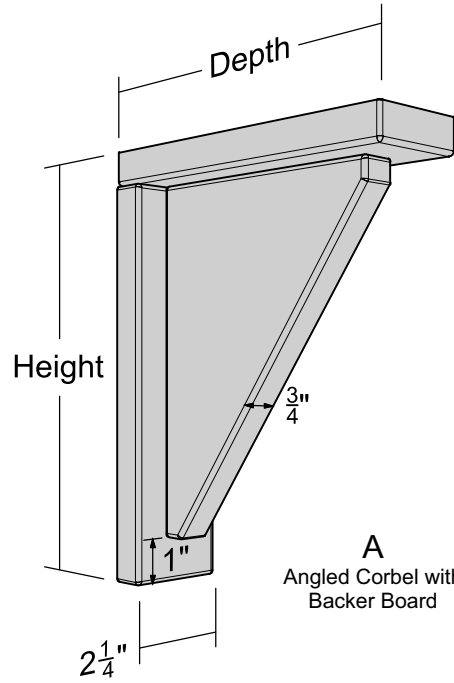


J602
5/16" x 1 1/8"
(8.7 x 28.6mm)

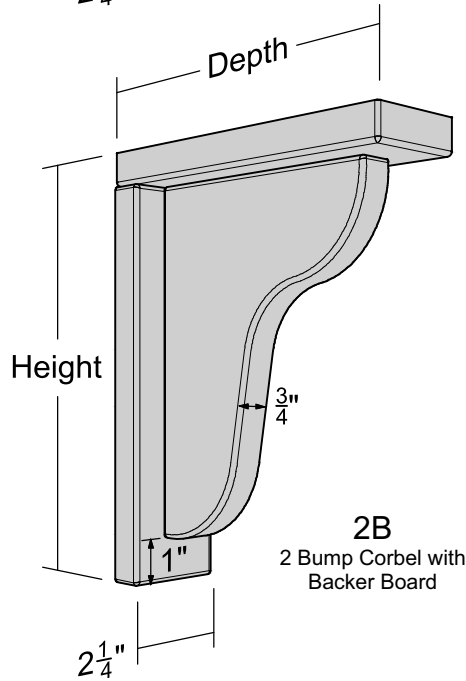
Corbels



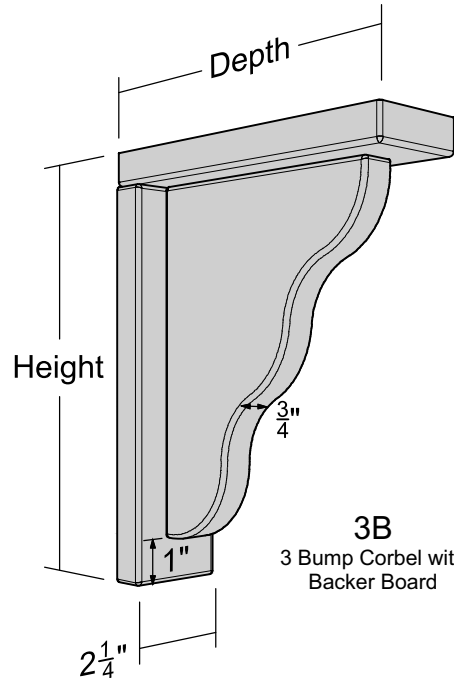
C
Curved Corbel with
Backer Board



A
Angled Corbel with
Backer Board



2B
2 Bump Corbel with
Backer Board



3B
3 Bump Corbel with
Backer Board

Heat Shield

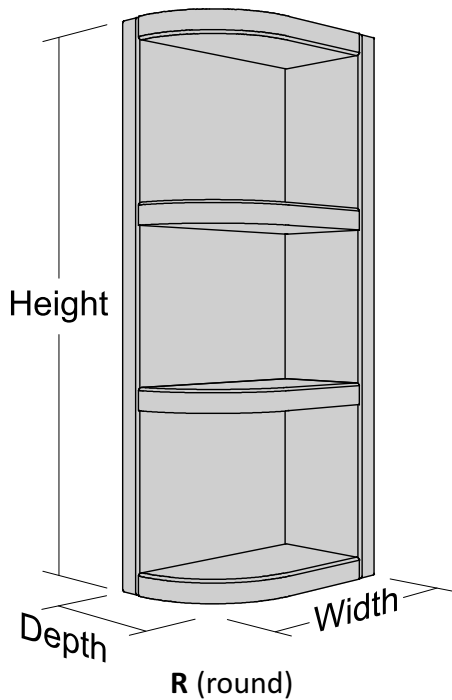
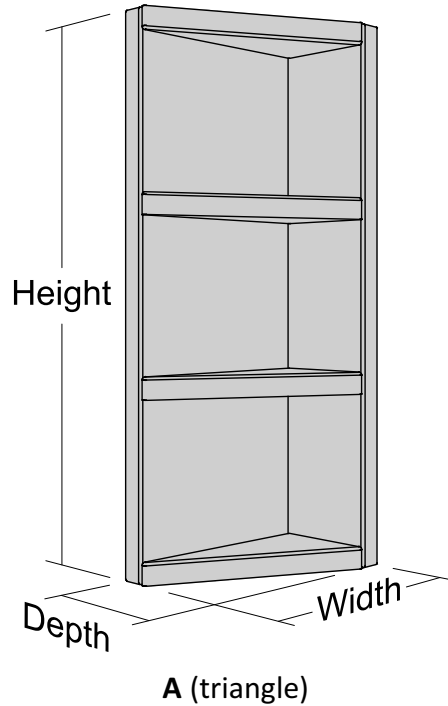
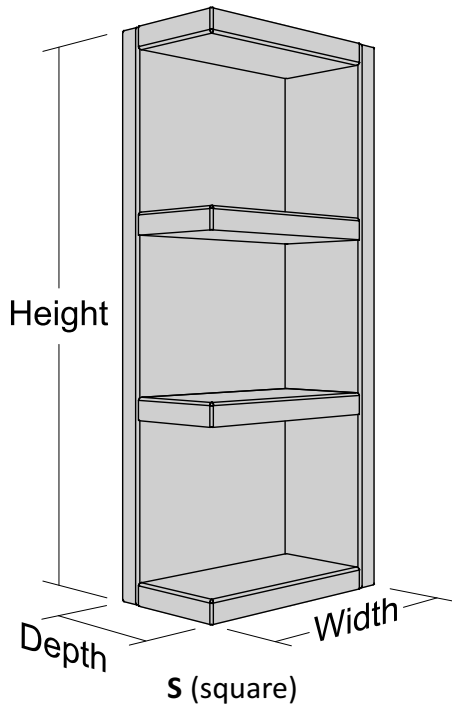


001000
Clear Heat Shield
(4' length sizable)

Knick Knack Shelves

Knick Knack Shelves

Corner shelf kits can be ordered knock down or assembled. Our standard default when sending you an estimate is knock down, so please specify if you require this to be assembled. The standard shelf unit comes with the two wall pieces and top and bottom shelf, so if more shelves are required, please specify how many extra you require. These “knick knack” shelves can be made in a large range of our product offerings, from wood to RTF (rigid thermofoil) to painted to TFM (thermofused melamine). The shelves are made to order so they are also quite customizable, making them versatile and useful. There are some limitations on how it can be manufactured due to the different products being used so please review the diagrams for clarification or call your Customer Service Specialist.



5 RIGID THERMOFOIL PRODUCTS