

Chord

Radius

Face

Edge of door cut at angle
to provide clearance for
swing if...

Door
Face Frame

Door

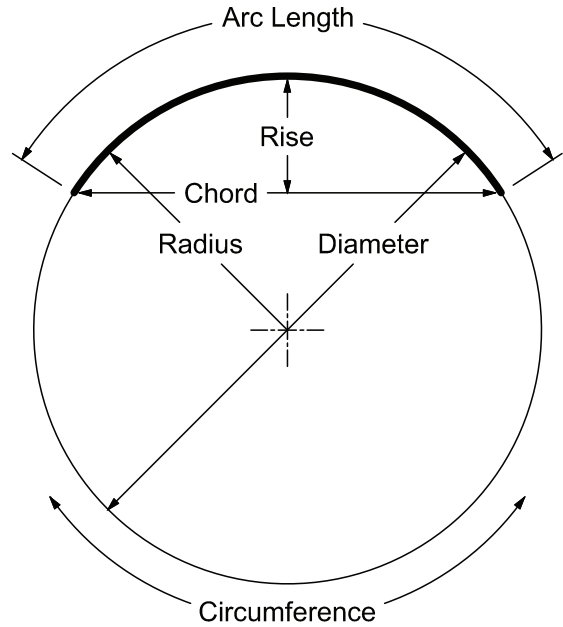
Rise

Glossary of Terms

When ordering or talking about curved products please refer to the following terms, these are terms used by the craftspeople of Elias Woodwork.

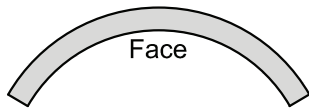
1. Glossary for the following terms:

- Radius
- Diameter
- Chord
- Rise
- Arc Length
- Circumference

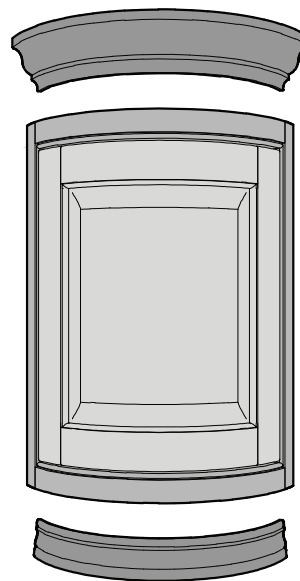
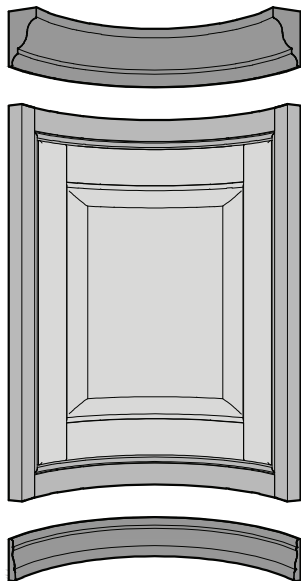
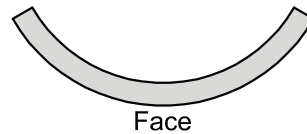


2. Glossary when referring to convex and concave:

Concave:



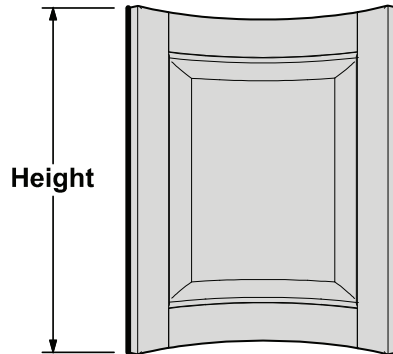
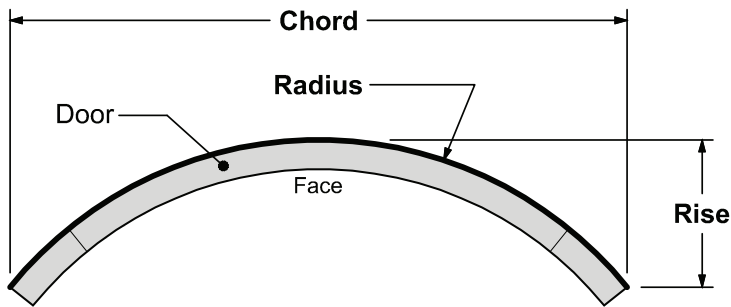
Convex:



Ordering Curved Cabinet Doors

Diagram #1

Concave:



Required Concave Measurements for diagram #1:

- Radius
- Chord
- Height

----- **OR** -----

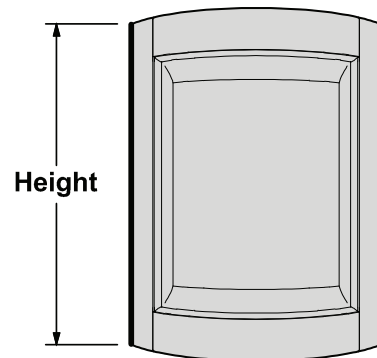
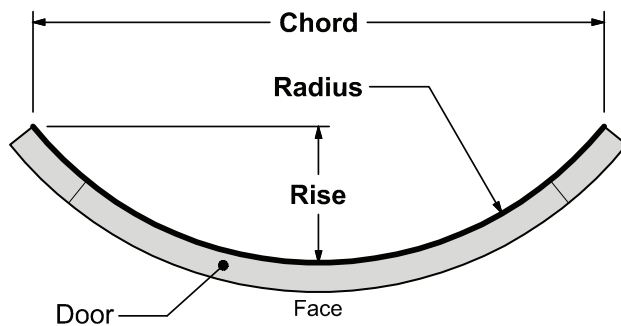
Required Convex Measurements for diagram #2:

- Rise
- Chord
- Height

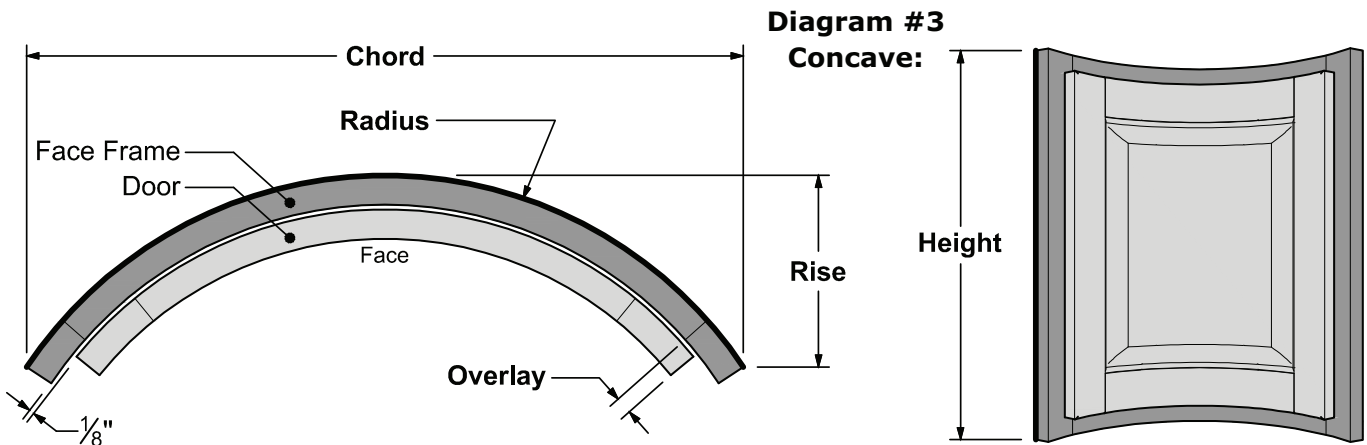
When ordering curved cabinet doors you will need to complete measurements for one of the following diagrams. Please note the points where the measurements are taken from as this is critical in making the door fit accurately. After wood species and door code has been established **ONE** of the following diagrams needs to be completed before manufacturing can start. Door code and wood species is required along with the Rise, Height, Chord or Radius. See diagrams #1 and #2.

Diagram #2

Convex:



Curved Overlay Face Frame & Door



2 WOOD PRODUCTS
Curved Components

Our standard overlay face frame is made from our square four sided material (reference page 85, product code "S" to view this cross section). Our standard joinery for the face frames is the pocket screw method. Please note that this pocket screw will be visible from the back side. When ordering curved overlay face frames you will need all measurements for one of the following diagrams. Note the points where the measurements are taken from as this is critical in making the face frame fit accurately. When ordering curved face frames with curved doors you need to supply measurements for the face frames only, the door measurements will be a calculation taken from the face frame measurements and done for you. The door overlay is the only measurement required on the curved door. Please supply measurements for either diagram #3 or #4.

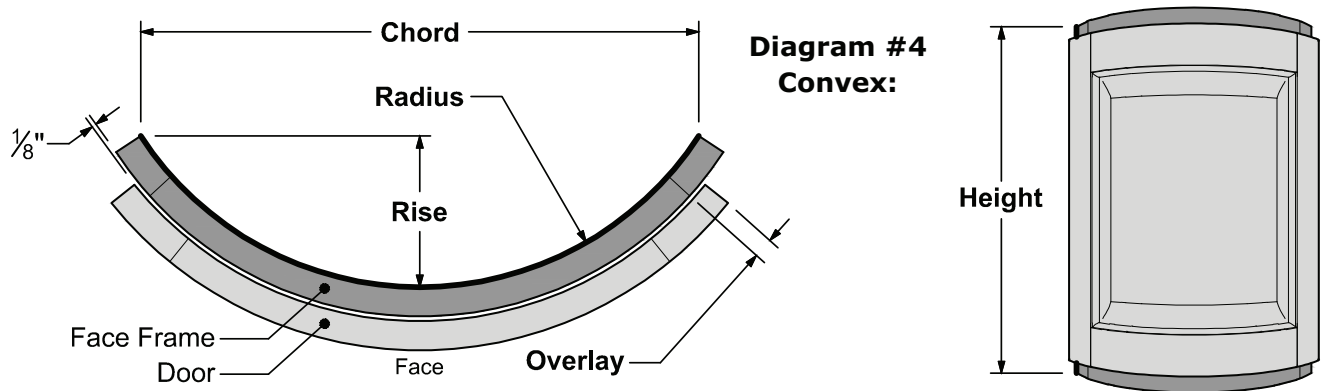
Required Concave Measurements for diagram #3:

- Radius
- Chord
- Height
- Door Overlay

- - - - - OR - - - - -

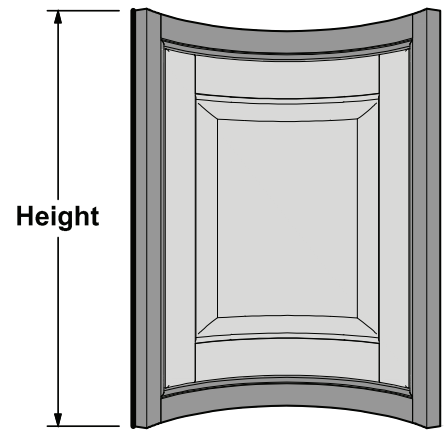
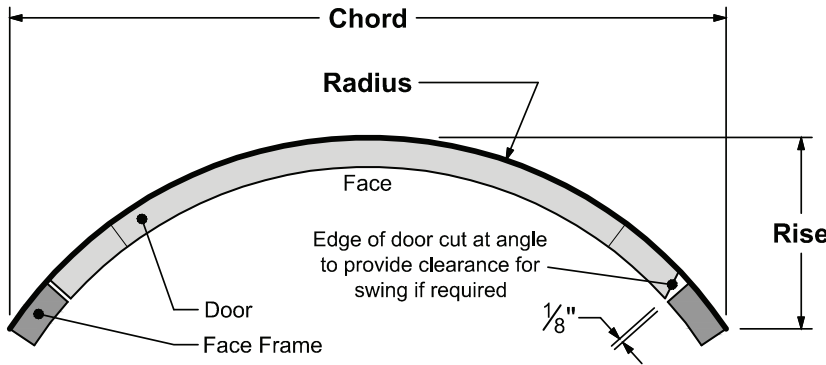
Required Convex Measurements for diagram #4:

- Rise
- Chord
- Height
- Door Overlay



Curved Inset Face Frame & Door

Diagram #5
Concave:



Our standard inset face frame can be made from our square four sided material (reference page 85, product code "S" to view this cross section) or our beaded face frame material (reference page 81, product code "B" to view this cross section). Our standard joinery for the face frames is the pocket screw method. Please note that this pocket screw will be visible from the back side. When ordering curved inset face frames you will need all measurements for one of the following diagrams. Note the points where the measurements are taken from as this is critical in making the face frame fit accurately. When ordering curved face frames with curved doors you need to supply measurements for the face frames only, the door measurements will be a calculation taken from the face frame measurements and done for you.

Required Concave Measurements for diagram #3:

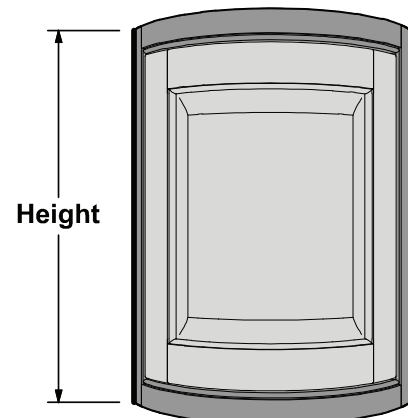
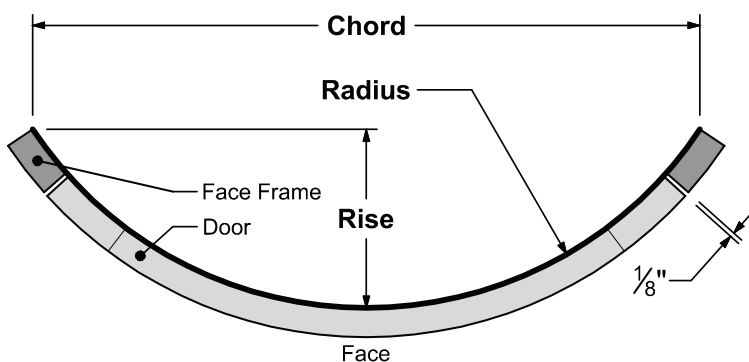
- Radius
- Chord
- Height

----- **OR** -----

Required Convex Measurements for diagram #4:

- Rise
- Chord
- Height

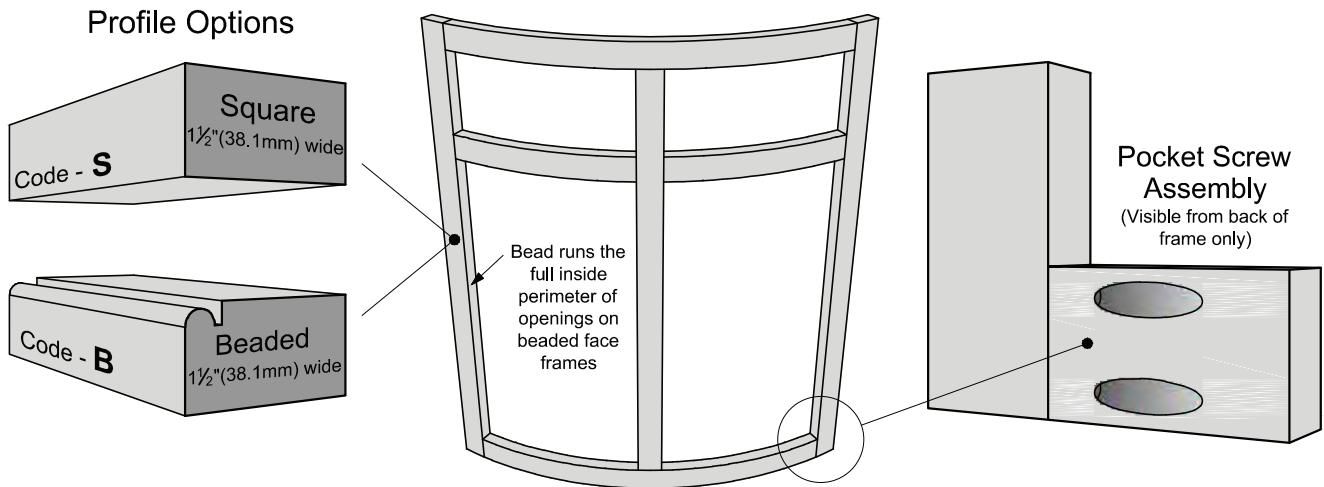
Diagram #6
Convex:



Face Frame Standard Options

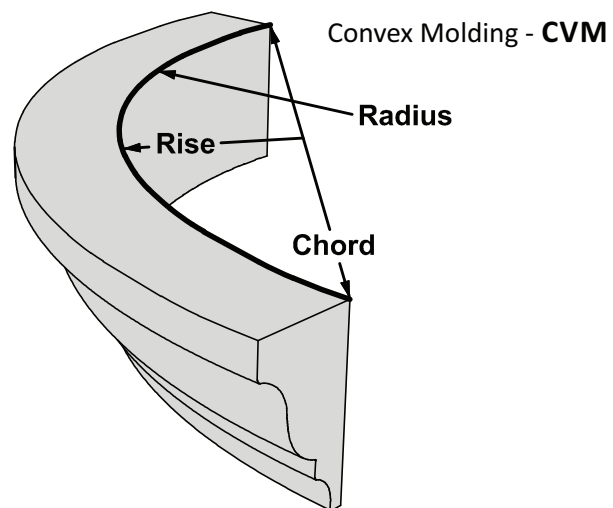
We have two standard options for face frames to choose from. Our standard face frame width is 1 1/2" and our standard thickness is 0.8", to match the cabinet door thickness. If you require other sizes of stiles or rails on the face frame, please specify upon ordering. When ordering the overlay face frames with cabinet doors the door overlay must be provided as there is no standard measurement. When ordering overlay face frames, please note

the default is our Square profile (Code = "S"). When ordering inset face frames you must choose the Square option (Code = "S") or the Beaded option (Code = "B"). When the Beaded option is chosen, note that the bead will be on the inside of the face frame, up against the outside of the cabinet door. The door measurements will be a calculation taken from the face frame measurements and will be done for you.



Convex, Concave & Arched Molding

The craftspeople of Elias Woodwork are able to manufacture almost any molding as a radius or arch to your specification. When curved or arched moldings are required for your project please take into consideration the following diagrams, they will help in describing what is required and what measurements are required for manufacturing. It is also critical to show the points where the measurements are taken from as this is critical to making an accurately fitting piece. Lastly, these diagrams tell you the terminology that the craftspeople at Elias Woodwork use in describing curved or arched moldings. Please use these terms when ordering to ensure a proper fitting molding.



Available Molding Profiles

Following is a list of moldings that Elias Woodwork produces that do not require tooling charges. These "J" numbers can be viewed in the molding section of the catalog, starting with page number 124. These moldings can be made to your specific radius or arch. Refer to page 85 and 86 for required measurements and for choosing glue-up methods. Other profiles can be made, simply send in a diagram with the desired profile and an estimate will be sent to you. Drawings can be sent through fax or through email. If you prefer to send an email with a CAD file please note that we are able to open most CAD files.

List of Standard Tooling for Curved and Arched Molding:

Crown Moldings

- J004 (pg. 145)
- J008 (pg. 143)
- J011 (pg. 141)
- J012 (pg. 146)
- J059 (pg. 142)
- J070 (pg. 140)
- J113 (pg. 141)
- J117 (pg. 141)
- J118 (pg. 141)
- J123 (pg. 147)
- J124 (pg. 147)
- J127 (pg. 142)
- J181 (pg. 142)
- J806 (pg. 143)
- J807 (pg. 143)
- J809 (pg. 143)
- J882 (pg. 141)
- J884 (pg. 143)
- J888 (pg. 142)
- J889 (pg. 140)
- J957 (pg. 142)
- J1118 (pg. 145)
- J1155 (pg. 144)
- J1312 (pg. 141)
- J1486 (pg. 149)
- J1499 (pg. 144)
- J1517 (pg. 143)
- J1612 (pg. 144)

Light Rail

- J192 (pg. 149)
- J940 (pg. 149)
- J1205 (pg. 149)
- J1261 (pg. 149)
- J1486 (pg. 149)
- J1629 (pg. 149)
- J1630 (pg. 149)
- J1796 (pg. 148)
- J1803 (pg. 148)
- J1805 (pg. 149)

Bar Rails

- J041 (pg. 154)

Casing and Base Boards

Any of the "J" numbers in the Casings and Baseboards section shown in this catalog starting on page 129 ending on page 137 can be made as a curve or an arch. Please specify measurements, glue-up stile, wood species, "J" number and quantity to receive an estimate.

