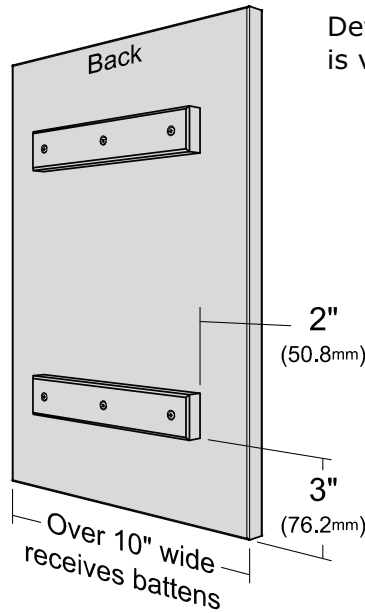
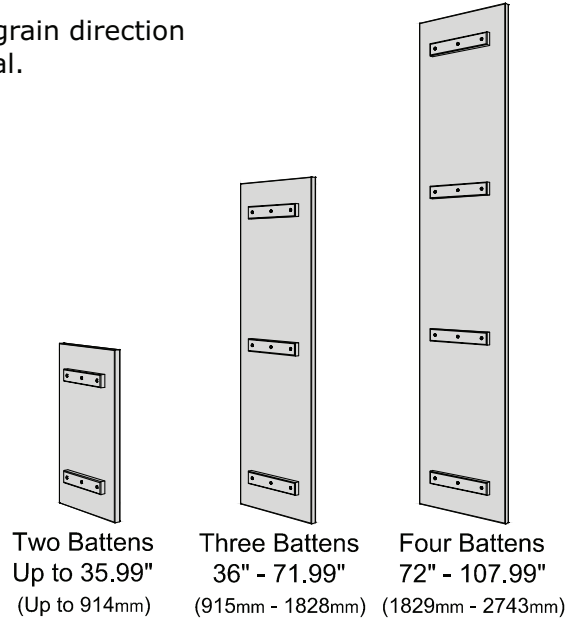


## Solid Wood Slab Doors

WOOD PRODUCTS  
 Slab Fronts



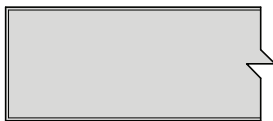
Default grain direction is vertical.



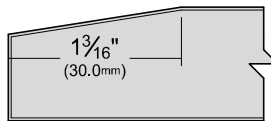
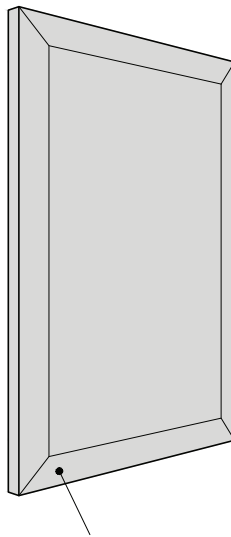
E912

(Recommended drawer front: E900)  
 See page 30 - 31 for available edge profiles.

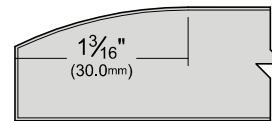
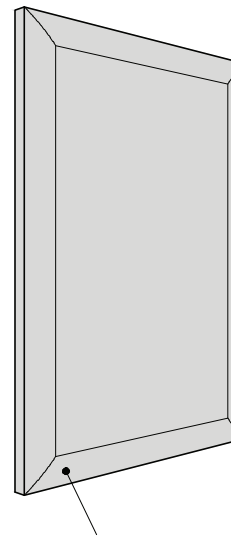
## Veneer Slab Doors & Drawer Fronts



E9030



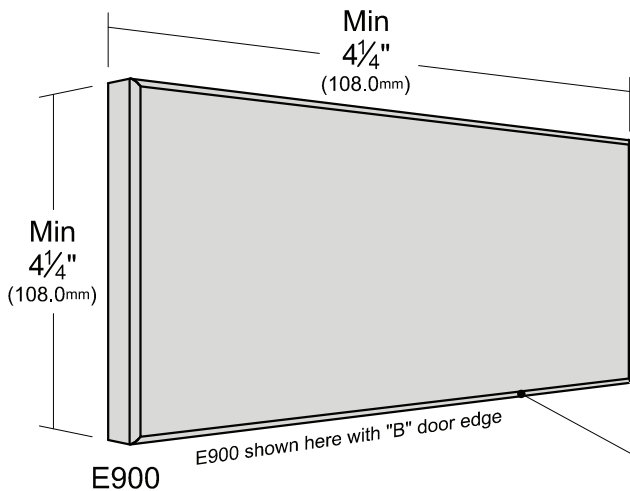
E9031



E9032

These slab doors and drawer fronts are edge-banded with veneered front and back. Default grain direction is vertical. Horizontal grain is available upon request.

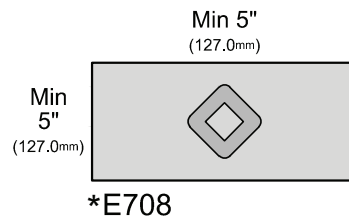
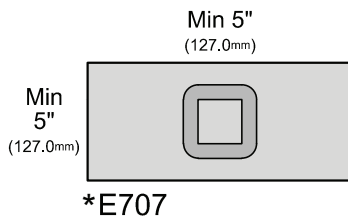
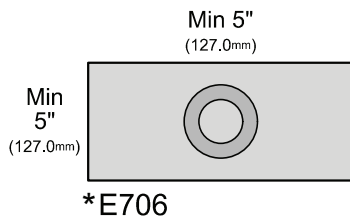
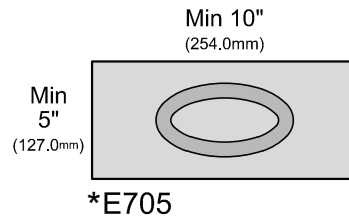
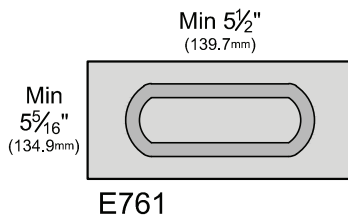
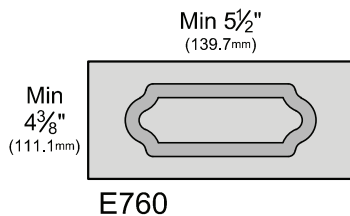
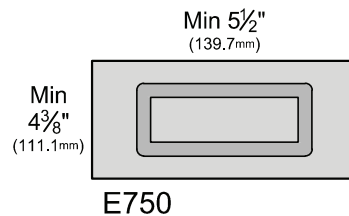
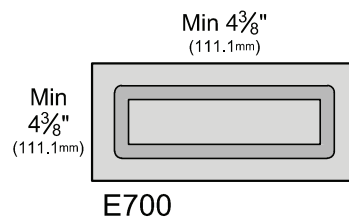
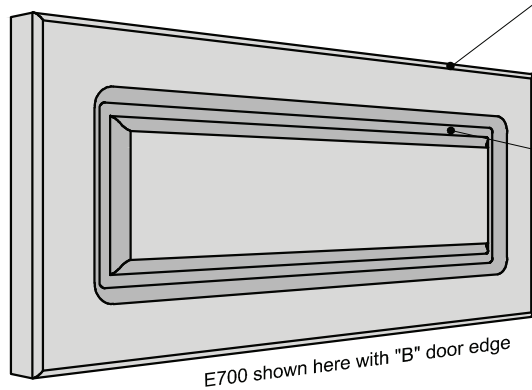
# Solid Wood Slab Drawer Fronts



All slab drawer fronts are 0.8" standard door thickness with the exception of the E954 which is 1 1/16" thick. Default grain direction on all slab drawer fronts is horizontal.

**WOOD PRODUCTS**  
2 Slab Fronts

## Routed Groove Profiles

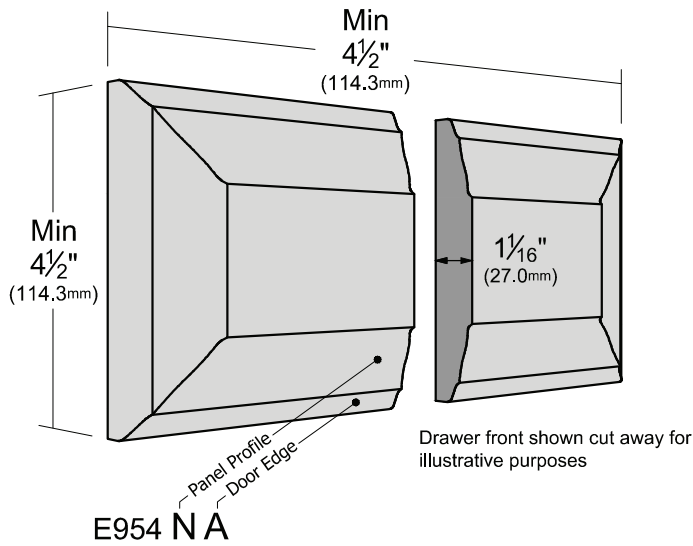
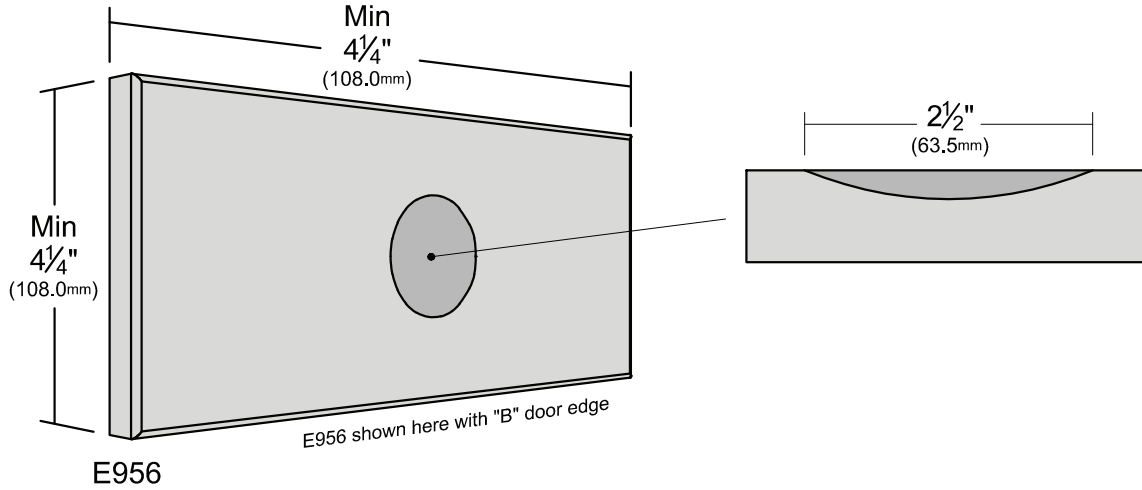


\* Routed Groove Patterns are one size only and do not change with the size of your drawer front.

# WOOD PRODUCTS

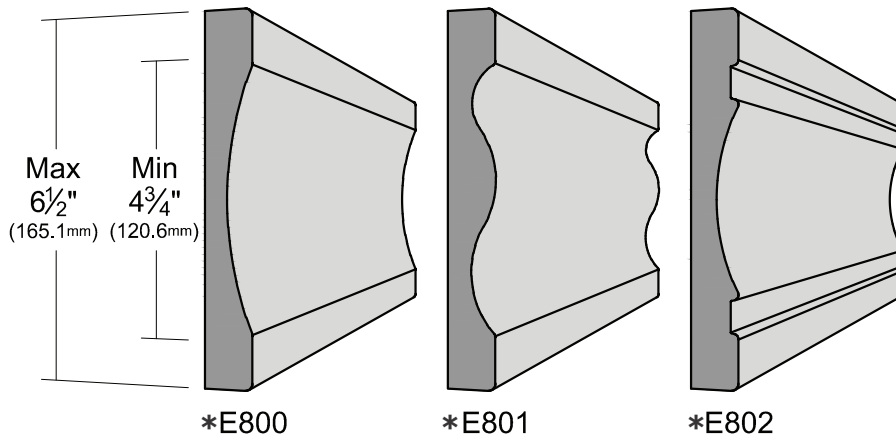
## SLAB DOOR & DRAWER FRONTS - Solid Wood Drawer Fronts

WOOD PRODUCTS  
2 Slab Fronts



Panel Profile Options		
DFN	M	S055
DFO	N	S070
DFR	O	U
L	R	

Door Edge Options		
A	D10	K
B	D13	M
C	D34	T
D	E	V
D01	F	W
D04	G	Y
D05	I	Z
D06	J	



\*Comes standard with a "B" edge.