

WOOD PRODUCTS



Wood Products Product Care & Handling:

After removing from packaging, your wood finished product *requires 28 days of Curing Time* to reach final hardness! PLEASE HANDLE WITH CARE!!

Cleaning:

As with all wood products, avoid excessive moisture on your newly installed wood products. Simply wipe with a clean cloth; do not spray on water. Use a damp 100% cotton cloth. A small amount of mild dish detergent may be used if required. Wipe dry immediately with a dry, soft cloth. This process may be repeated as often as necessary. It is recommended that you complete small areas at a time so that the moisture from the damp cloth will not remain on the wood for an extended period of time. For best results, wipe in the same direction as the wood grain, rather than across the grain or in a circular motion.

Please do not use products containing ammonia, bleach, wax, or silicone, as these types of products may damage the finish on your wood products. Warm water and clean, cotton cloths are best for cleaning wood products.

Everyday spills should be wiped dry immediately to avoid standing water or moisture on the wood. Do not allow wet cloths to hang against any wood product, as this could result in eventual damage to the wood or the finish.

Environment:

Solid wood does expand in warm, humid conditions which are common in spring and summer, and contracts in cold, dry conditions found in fall and winter. Homes with solid wood products should maintain a constant **humidity level of 35-50%** to avoid expansion and contraction damage.

Solid Color Finishes:

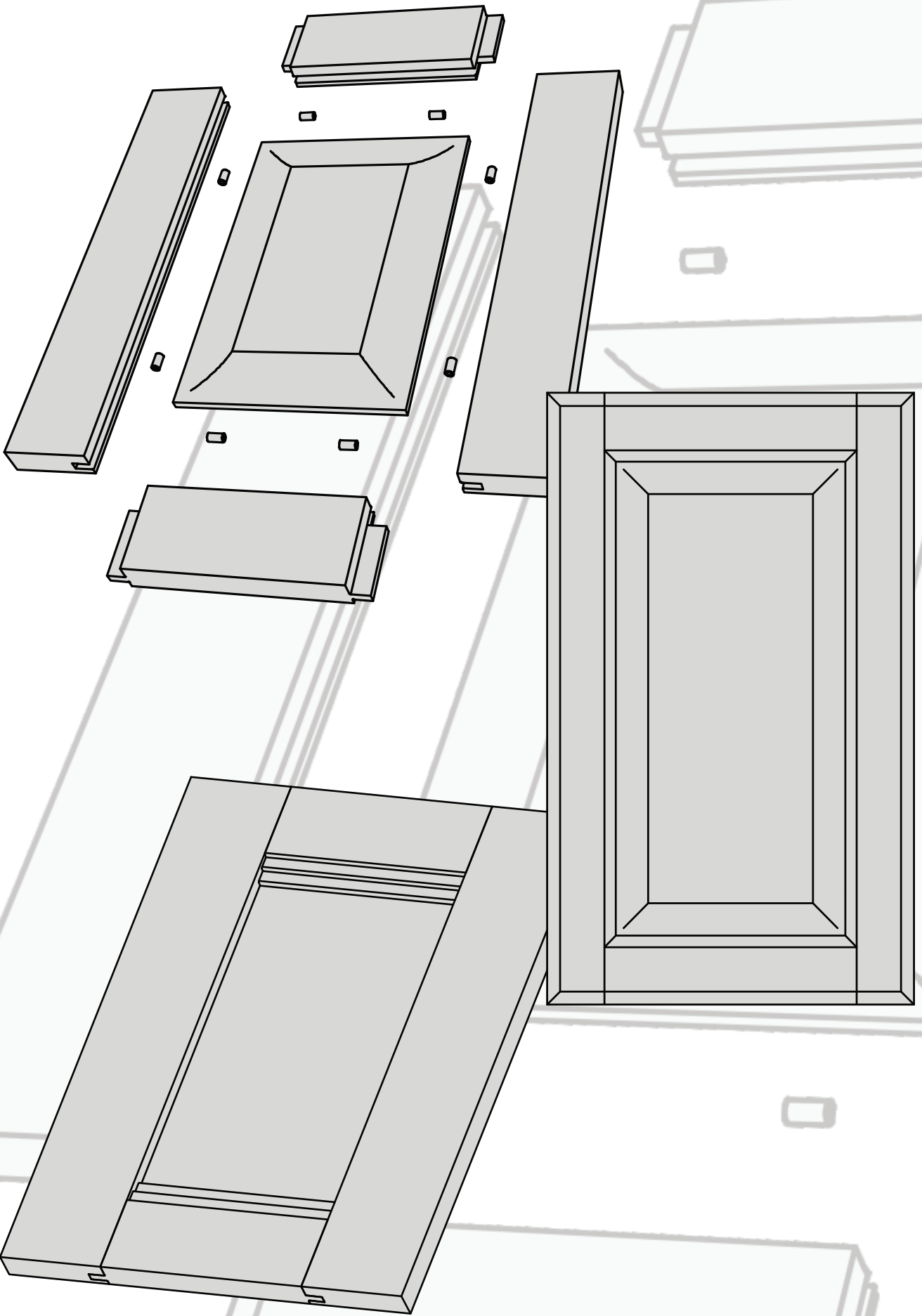
The high quality top coat used has a multilayer finish application adhesion which requires a curing time of 28 days AFTER the door has been unpacked and installed.

- **DO NOT** Use any abrasive material (including your fingernails) to dust off the product.
- **DO NOT** SPRAY on any liquid to clean the door, simply wipe with a clean cotton cloth, dampened with warm water only. Make sure to wipe dry right away to avoid damage to the product.
- **DO NOT** under any circumstance use multipurpose cleaner of **ANY KIND** as the chemicals found in them will compromise the beautiful finish of this high quality product.
- **DO NOT** apply **ANY** mechanical force to the Glaze on the product (if applicable). The Glaze is an esthetic component, not a structural component and is therefore **NOT** meant to be scratched.

Over time and during the normal use of doors and drawer fronts with a colored lacquer (painted) finish, a non-structural hairline crack in the finish may appear on the joints of the doors & drawer fronts. This type of crack in no way jeopardizes the structural soundness of the product; it is merely an esthetic characteristic which is considered normal in a colored lacquer finish and is not covered by warranty.



TENON DOORS



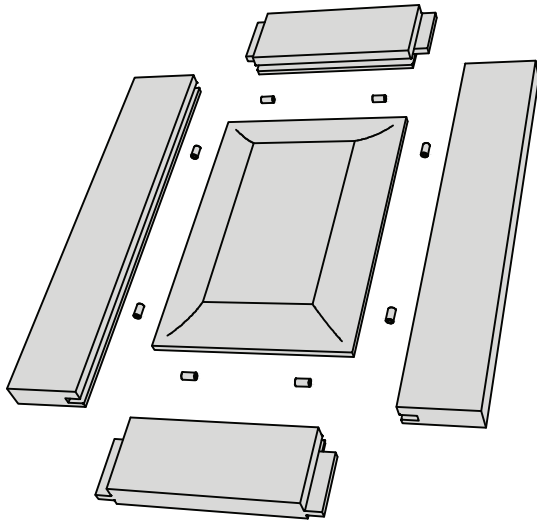
Orders:

Elias Woodwork accepts orders either in metric to the nearest millimeter or in inches to the nearest 1/16". Whenever you are ordering or speaking with a Customer Service Specialist, please refer to cabinet doors WIDTH by HEIGHT.

From a single vanity to a condominium project we will accept orders from one door to several thousands. Although our manufacturing system has been engineered to be able to produce 1 door almost as efficiently as 1000 there will still always be some economies of scale that may influence pricing on large orders. For this reason we may be able to work out lower prices for large projects when you need that extra edge to get the job. This project pricing is established on a job by job basis and is completely separate from your standard discount.

Tenon Door Construction:

Elias Woodwork manufactures its wood tenon style cabinet doors without the use of any metal pins. All solid panels are installed with rubber spacers to allow for expansion or contraction in different environmental situations. All plywood panels are glued in on all four sides as plywood is structurally stable and this prevents any possible vibration problems in the future with the plywood panel.



Center Rails on Tenon Doors:

Defaults: Cabinet doors over 48" in height will have a horizontal center rail inserted. Cabinet doors over 24" in width will have a vertical center stile inserted. Cabinet doors over 48" in width will have 2 vertical center stiles inserted. All center stiles and rails will be centered to create even sized panels. If you require a 5 piece drawer front with a solid panel over 24" in width but do not wish to have the center stile you may order the panel with horizontal grain.

Tolerance:

Elias Woodwork warrants that its wood cabinet doors have a size tolerance of +/- 1mm. Warping is always a factor with wood cabinet doors. Elias Woodwork warrants that any door or drawer front under 24"x48" will have an allowance of 1/8" for warpage. Doors or drawer fronts between the sizes of 24"x48" and 24"x72" will have an allowance of 1/4" for warpage. Any doors or drawer fronts wider than 24" or higher than 72" will not be warranted for warpage.

Note: This applies to doors and drawer fronts with one vertical grain panel.

Tenon Door Thickness

All tenon doors are 0.8" (20mm) thick.

Quality Standards For Every Tenon Door:

Every door is:

- assembled in an automated clamp to ensure squareness.
- squared again and edged to your desired profile on a CNC automated double ender.
- thickness sanded with 100, 150 and 180 grit sand paper front and back.
- machine orbital sanded front and back.
- hand orbital sanded front for select and premium grades.
- profile sanded on the raised panel and outside edges.
- fladder sanded front and back.
- individually inspected for quality and ensure all cross grain scratches have been removed.

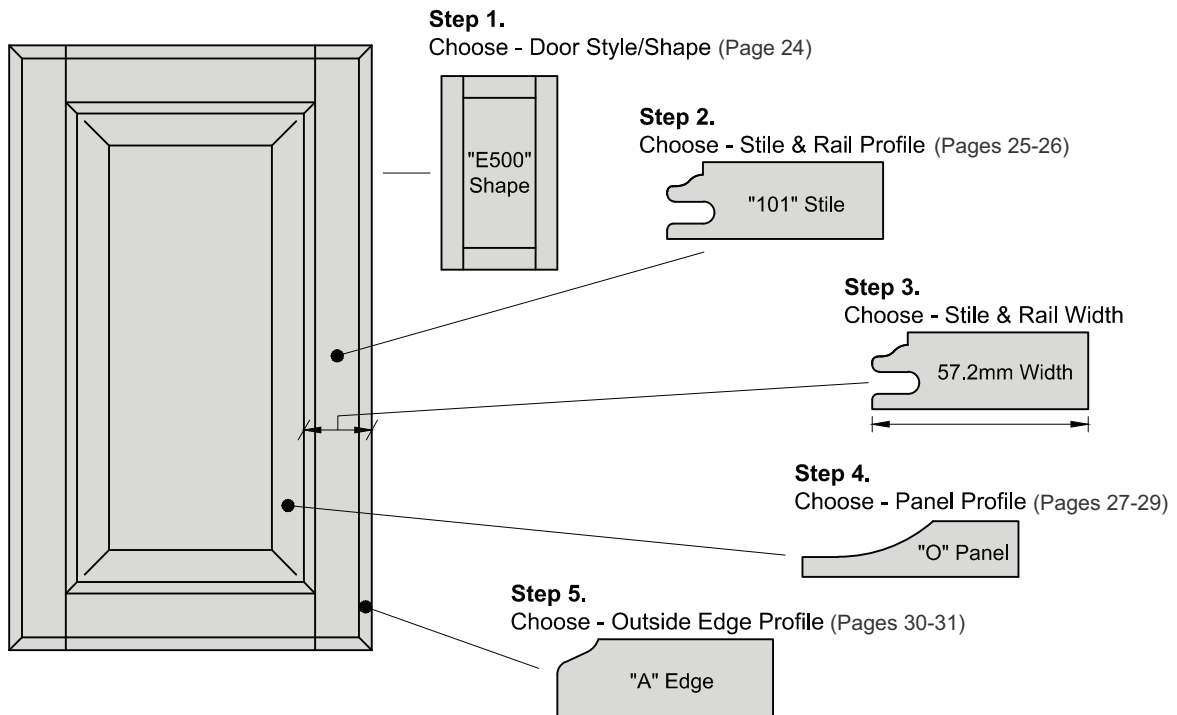
Tenon Door Code Explanation

E500 101 (57.2) O A 1 - - - L3 3 76.2 76.2 [- - -] -

- E500:** Door Shape
- 101:** Stile & Rail Profile
- (57.2):** Stile & Rail Width
- O:** Panel / Frame / Mullion Option
- A:** Outside Edge Profile
- 1:** Number of Panels
- :** Applied Molding Option
- :** Decorative Pegs Option
- :** Finger Pull Option
- L3:** Hinge Boring Option
- 3:** Hole Edge Inset (mm)
- 76.2:** Hole Center To Top Offset (mm)
- 76.2:** Hole Center To Bottom Offset (mm)
- [- - -]:** Finishing Options (Finish Color / Glaze Color / Lacquer Type)
- :** Treatment

How to Order

Five Simple steps to order tenon doors:



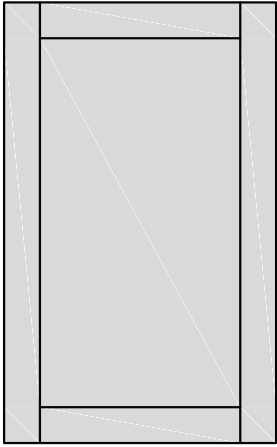
Minimum Size Calculation

For Solid Panel Tenon Doors & Drawer Fronts - $(\text{Stile / Rail Width} \times 2) + (\text{Panel Profile Reveal} \times 2) + \frac{1}{2}"$
 *See pages 27-29 for panel profile reveals.

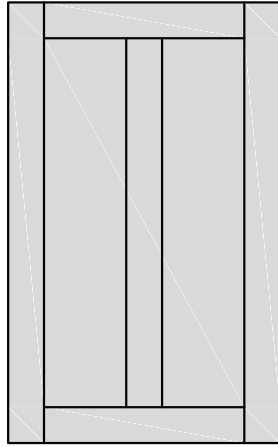
For Plywood Panel Tenon Doors & Drawer Fronts - $(\text{Stile / Rail Width} \times 2) + 1"$

DOOR SHAPES

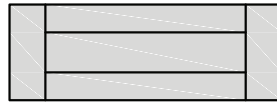
WOOD PRODUCTS
2 Tenon Doors



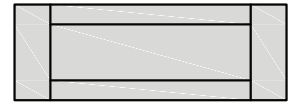
E500
Square Tenon Door



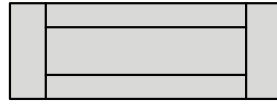
E500 2V



E501
Tenon Drawer Front
1-3/4" Top and
Bottom Rails



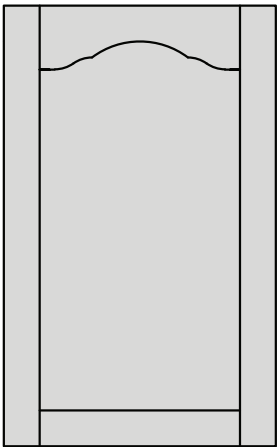
E502
Tenon Drawer Front
1 1/4" Top and
Bottom Rails



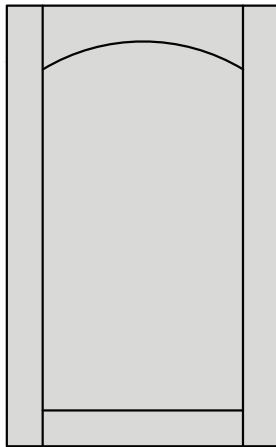
E503
Tenon Drawer Front
1 1/2" Top and
Bottom Rails



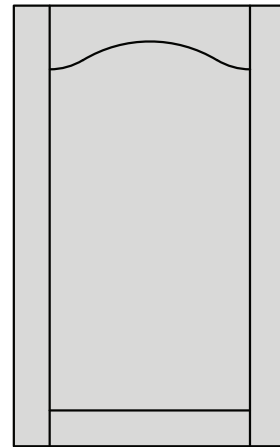
E515
Tenon Drawer Front



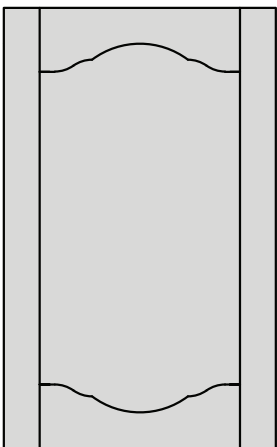
E600W
Princeton Arch Tenon Door



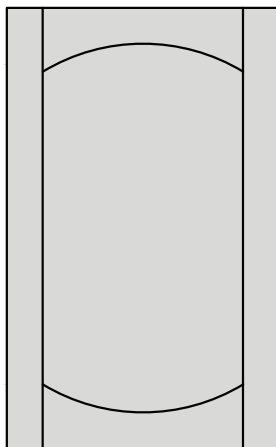
E600X
Windsor Arch Tenon Door



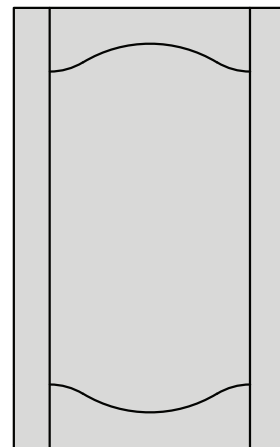
E600Y
Cathedral Arch Tenon Door



E800W
Princeton Double Arch
Tenon Door



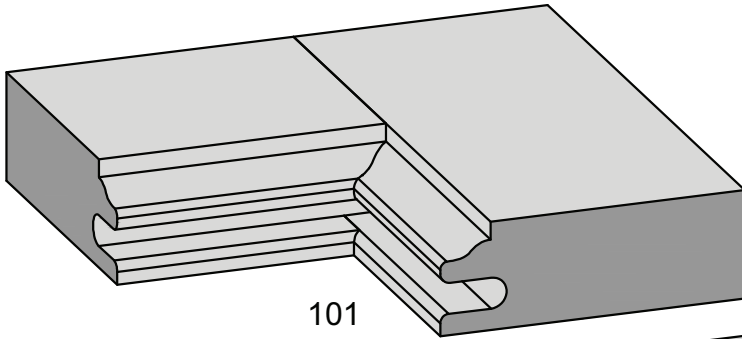
E800X
Windsor Double Arch
Tenon Door



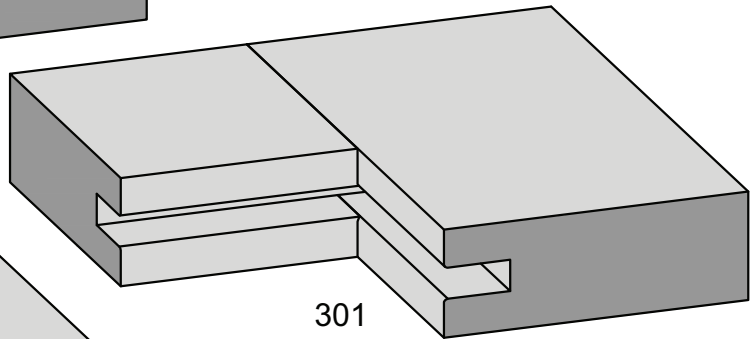
E800Y
Cathedral Double Arch
Tenon Door

STILE / RAIL OPTIONS

NOTE: Standard Stile / Rail widths are 2 1/4" (57mm) and 3" (76mm). Call for custom width requirements.

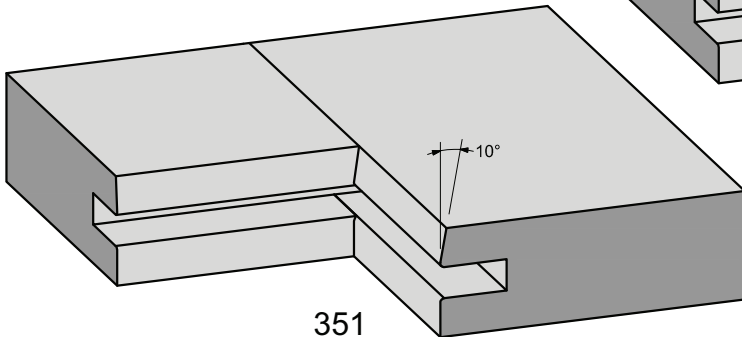


101



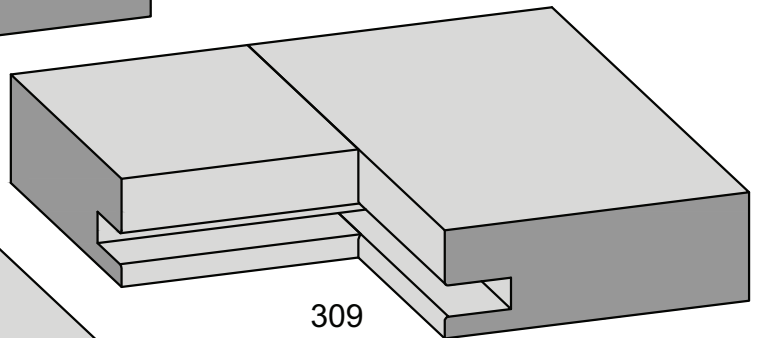
301

Does not work with a raised panel.

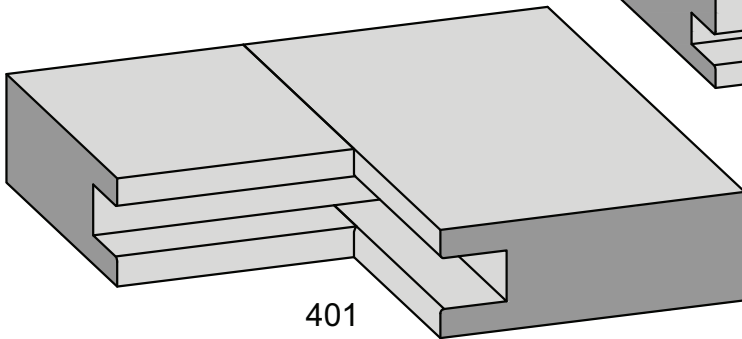


351

Does not work with a raised panel.

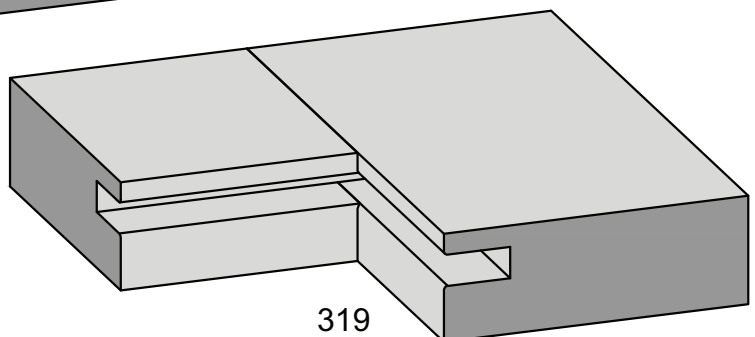


309



401

Only works with P2F Panel



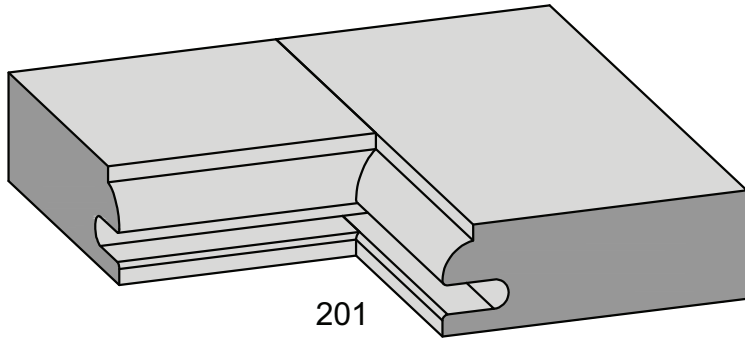
319

Does not work with a raised panel.

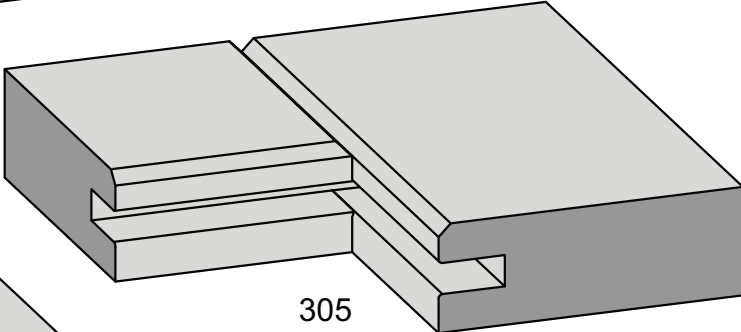
WOOD PRODUCTS

TENON CABINET DOORS - Stile / Rail Options

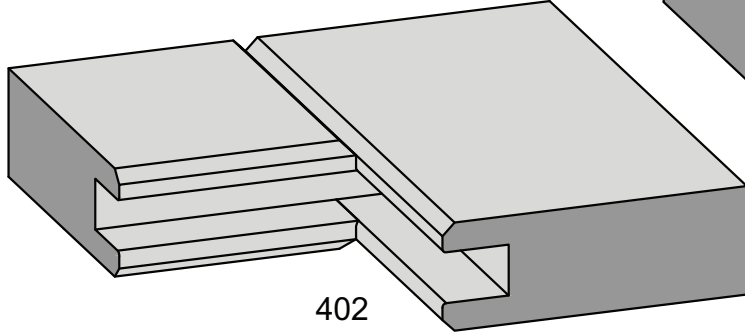
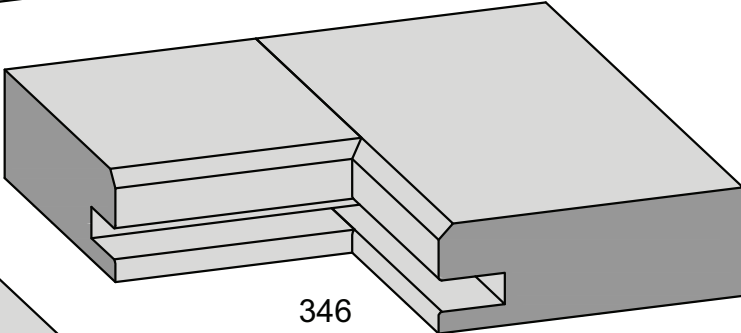
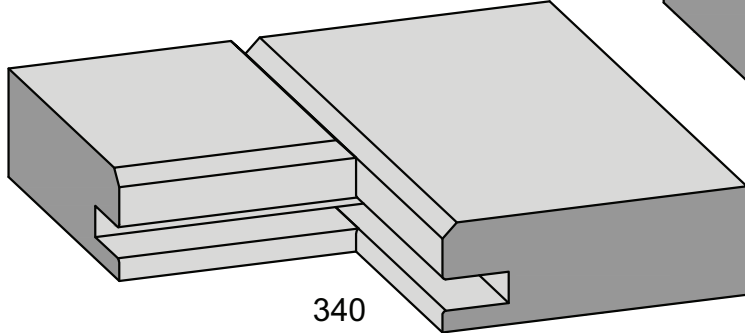
2 WOOD PRODUCTS
Tenon Doors



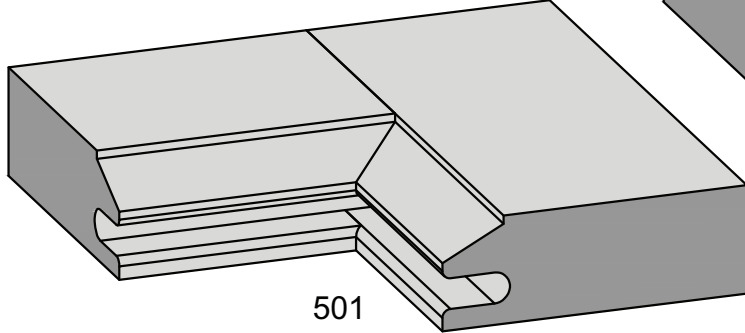
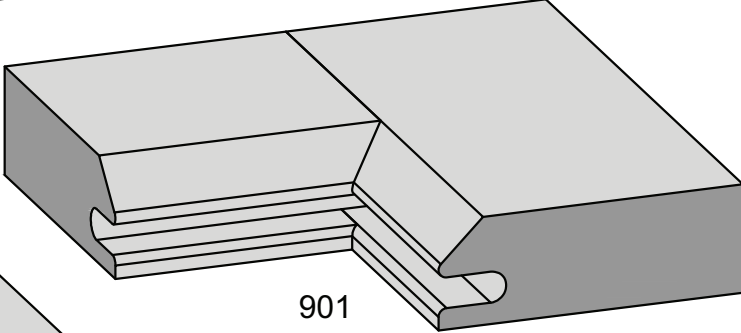
NOTE: Standard Stile / Rail widths are 2 1/4" (57mm) and 3" (76mm). Call for custom width requirements.



Does not work with a raised panel.

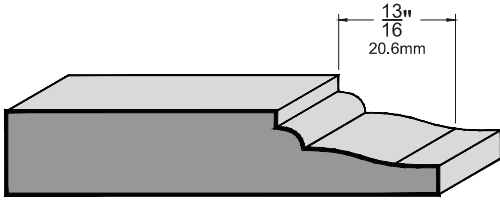


Only works with P2F Panel

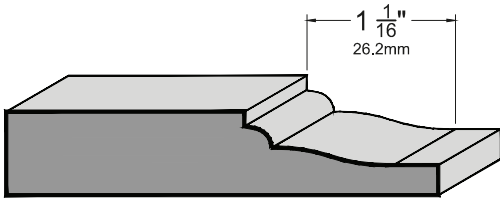


PANEL PROFILES

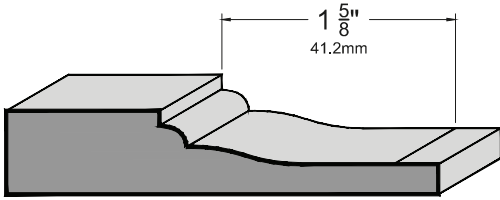
DFU



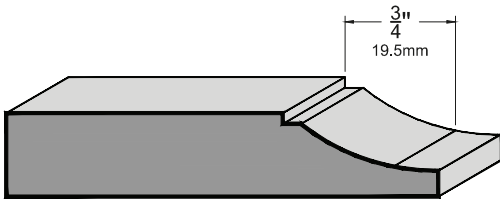
U



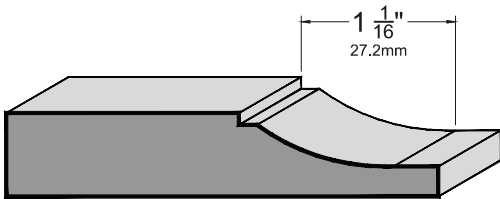
S059



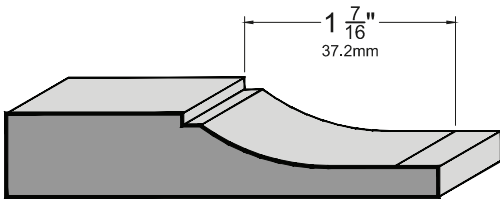
DFR



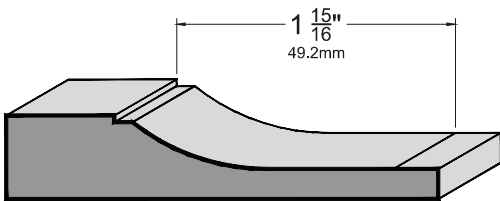
R



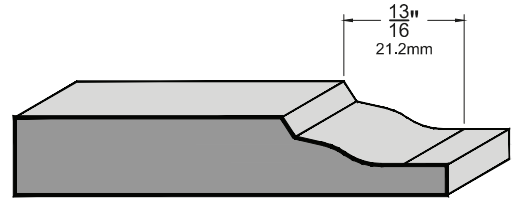
S065



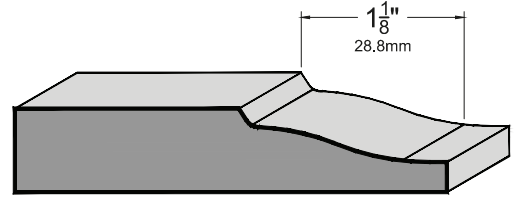
S078



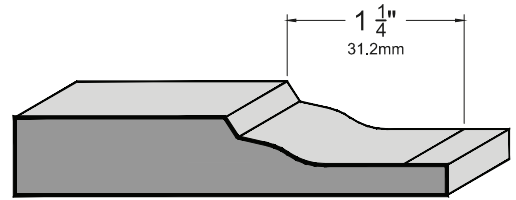
DFN



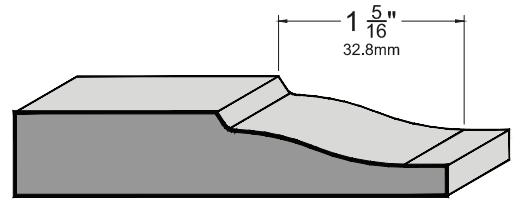
N



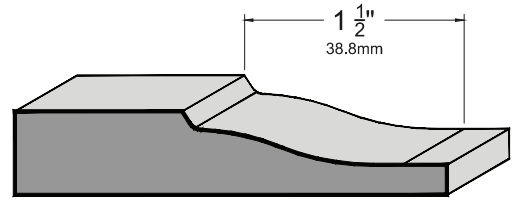
S067



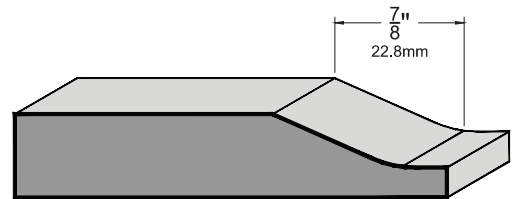
S074



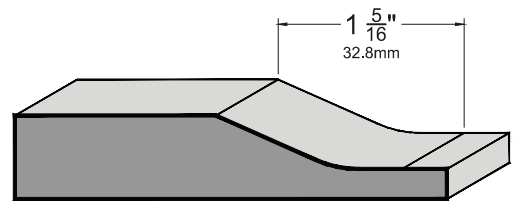
S064



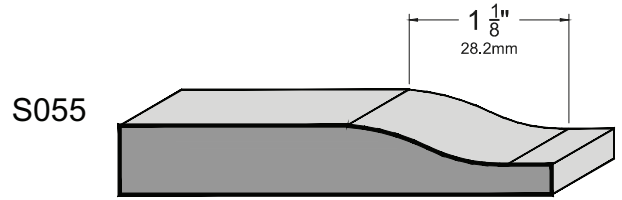
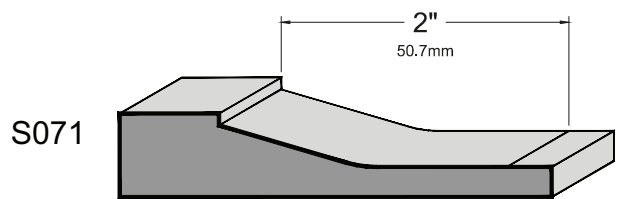
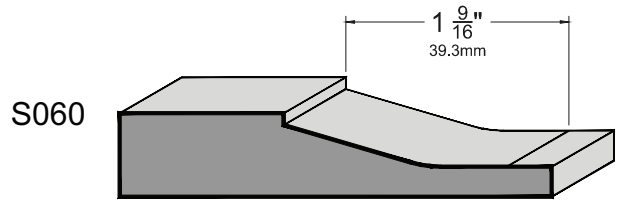
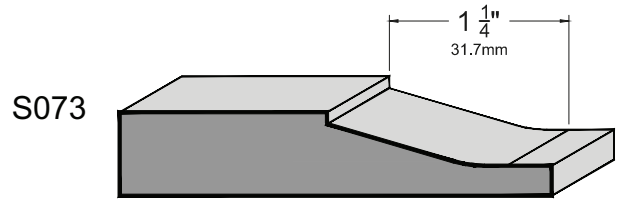
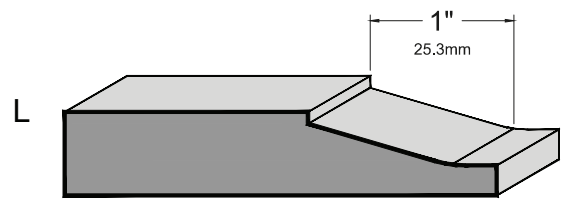
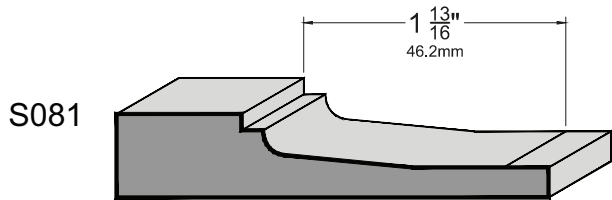
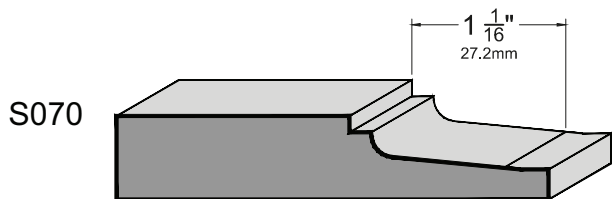
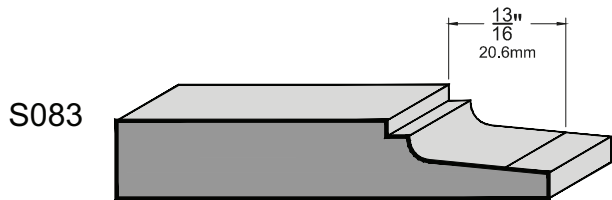
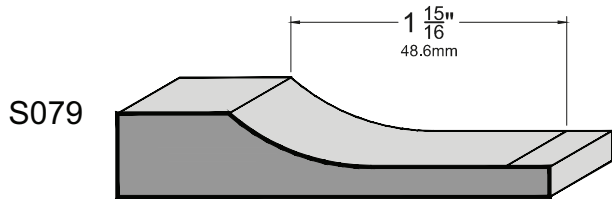
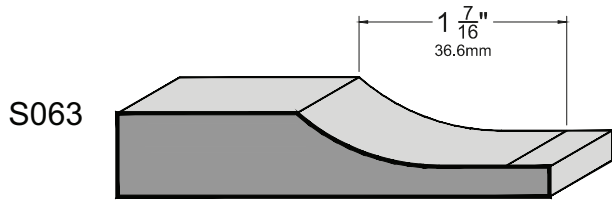
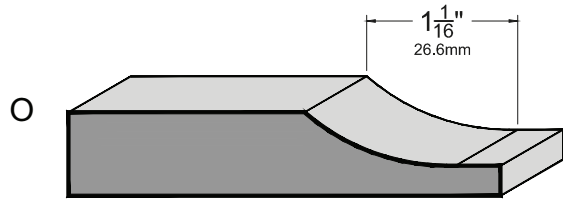
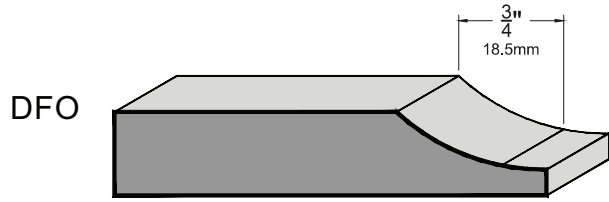
M



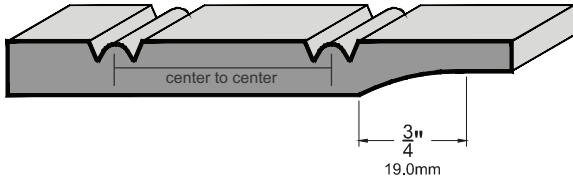
S062



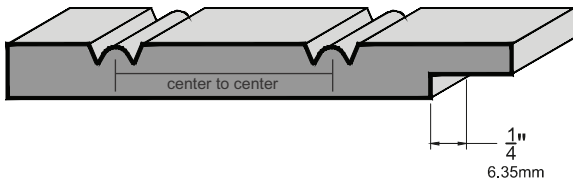
WOOD PRODUCTS
2 Tenon Doors



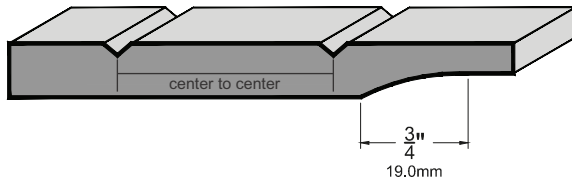
ORB15 - 1 1/2" (38mm) spacing center to center
ORB2 - 2" (51mm) spacing center to center
ORB3 - 3" (76mm) spacing center to center



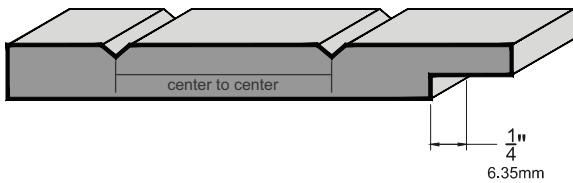
DFORB15 - 1 1/2" (38mm) spacing center to center
DFORB2 - 2" (51mm) spacing center to center
DFORB3 - 3" (76mm) spacing center to center



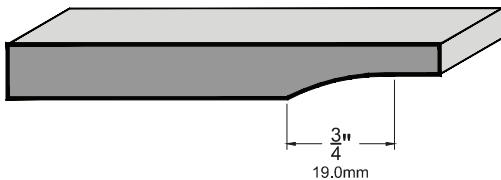
ORV15 - 1 1/2" (38mm) spacing center to center
ORV2 - 2" (51mm) spacing center to center
ORV3 - 3" (76mm) spacing center to center



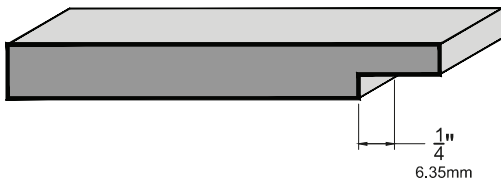
DFORV15 - 1 1/2" (38mm) spacing center to center
DFORV2 - 2" (51mm) spacing center to center
DFORV3 - 3" (76mm) spacing center to center



OR

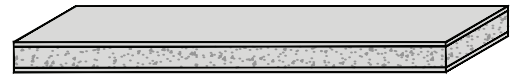


DFOR



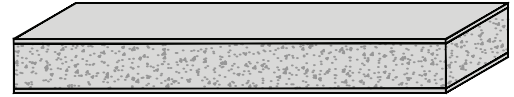
Two sided wood veneer panels with
engineered wood core.

P2D



5.2mm / 0.205" thick

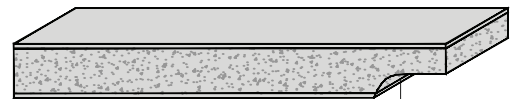
P2F



9.5mm / 0.375" thick

Only compatible with 401 & 402 stile/rail option

R2F



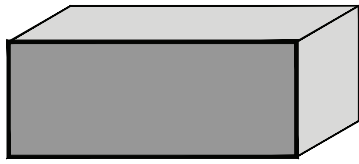
9.5mm / 0.375" thick

3"
16
4.78mm

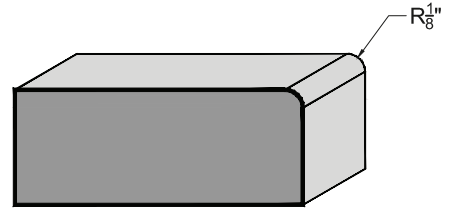
EDGE PROFILES

2 WOOD PRODUCTS
 Tenon Doors

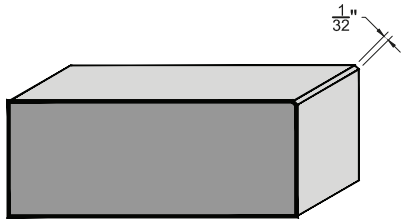
I



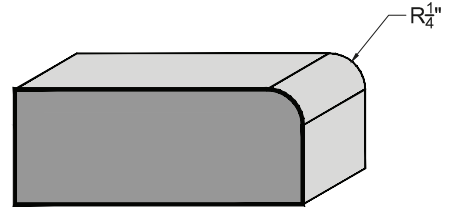
B



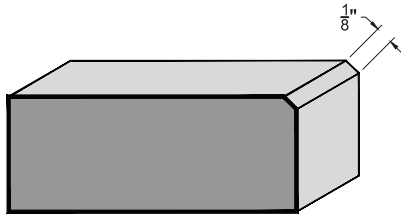
D34



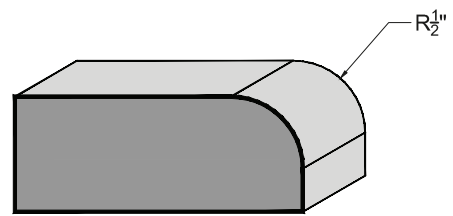
C



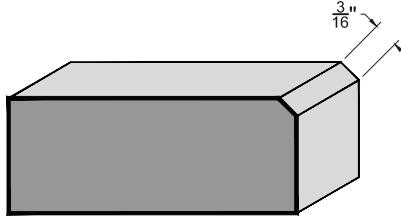
D04



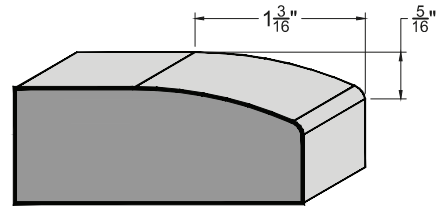
D



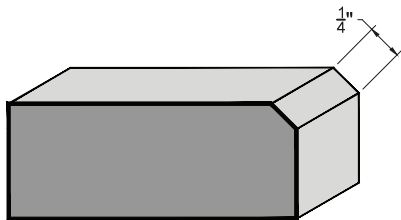
D13



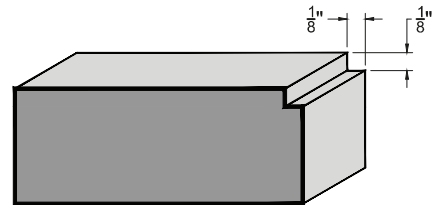
D32



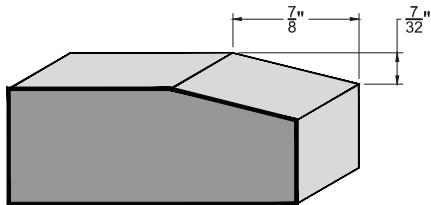
V



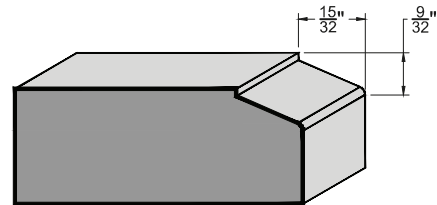
W

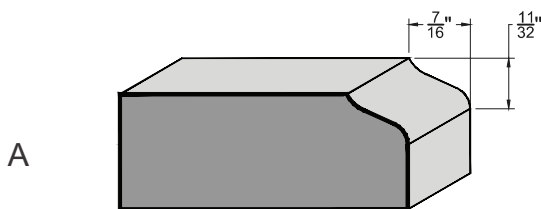
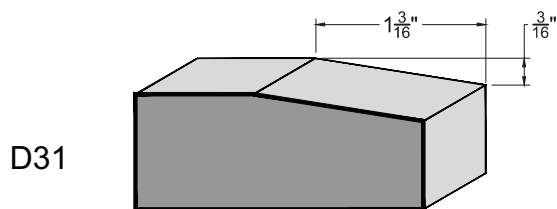
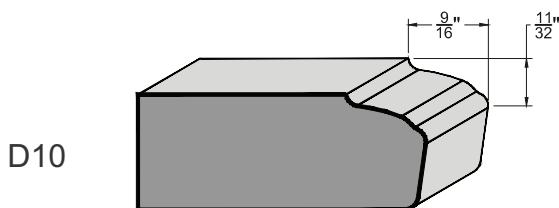
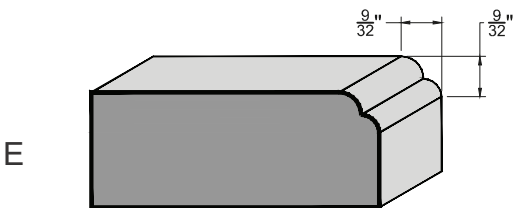
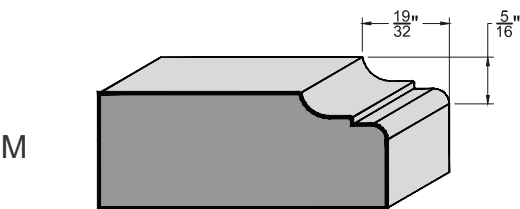
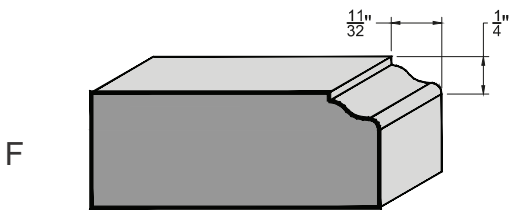
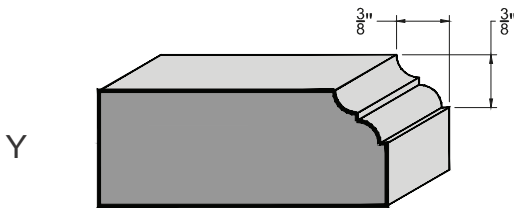
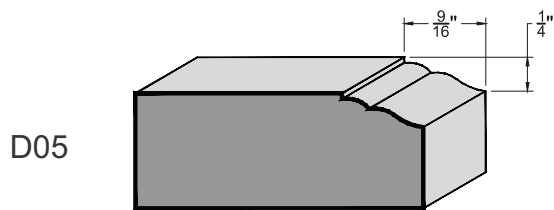
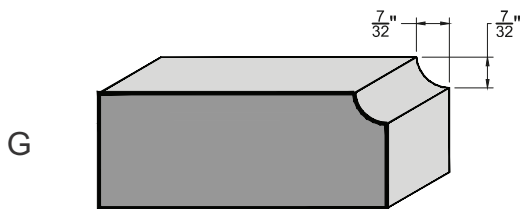
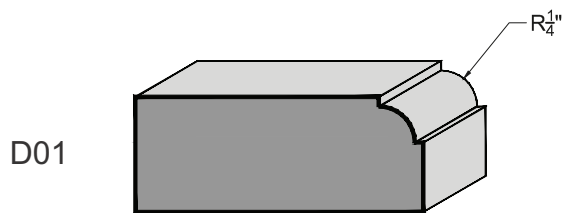
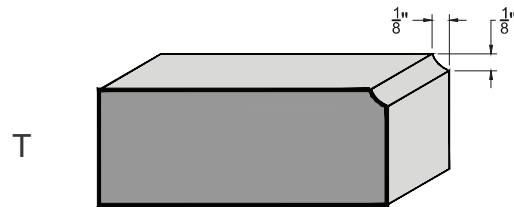
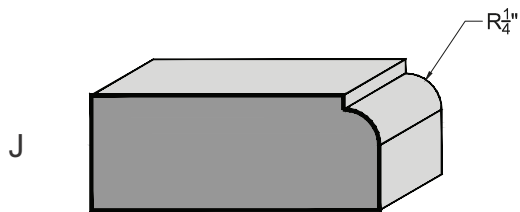
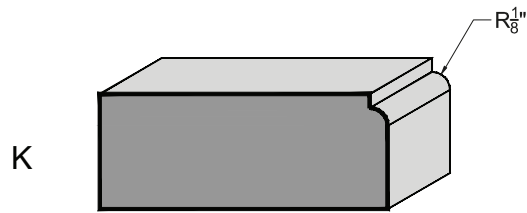
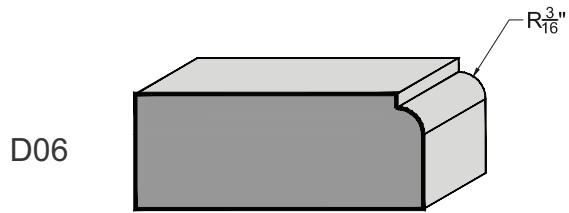


D20



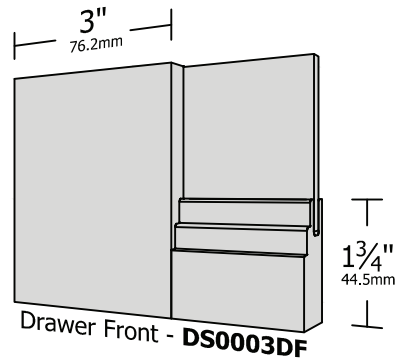
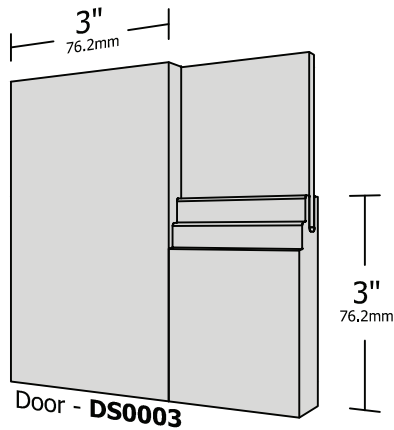
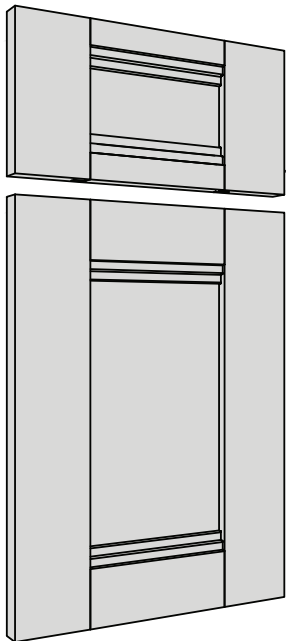
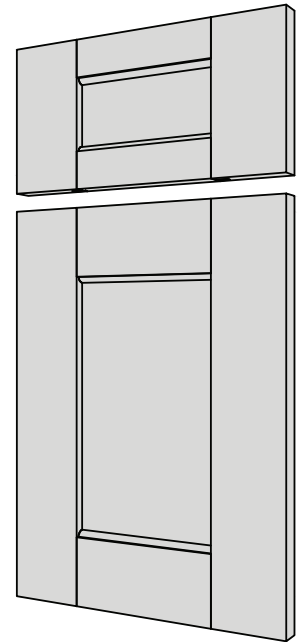
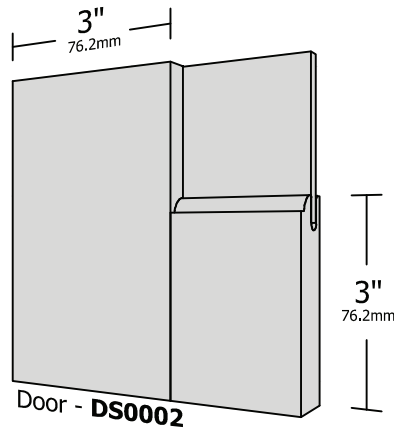
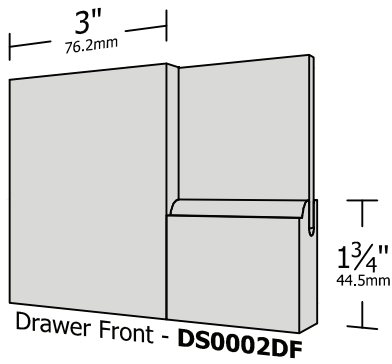
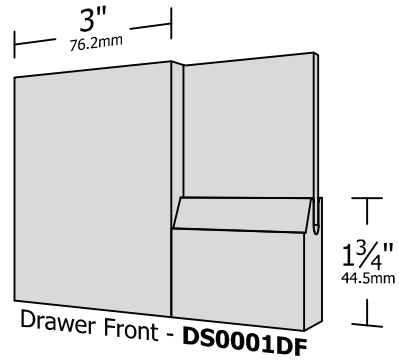
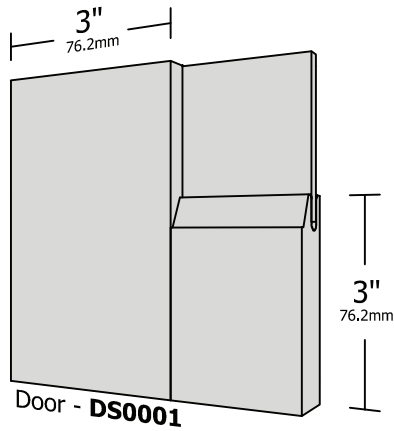
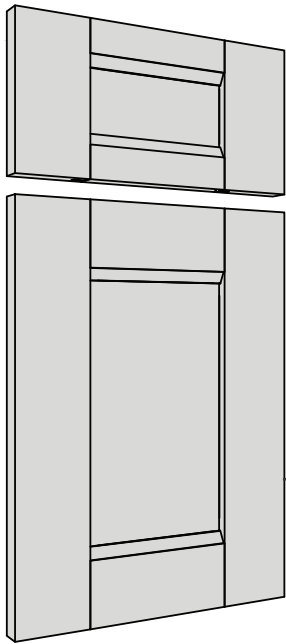
Z

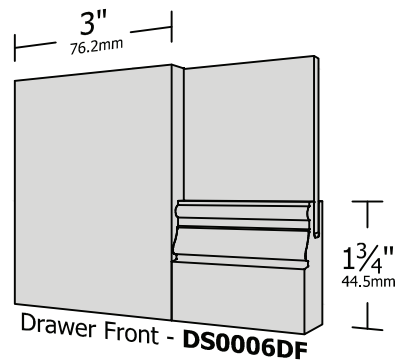
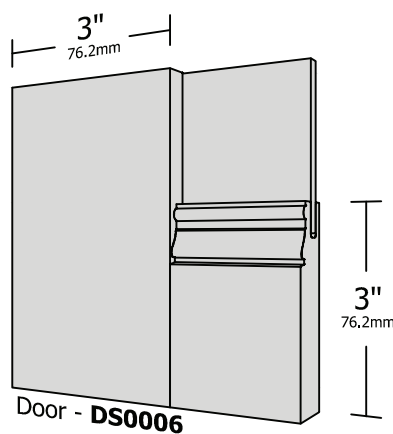
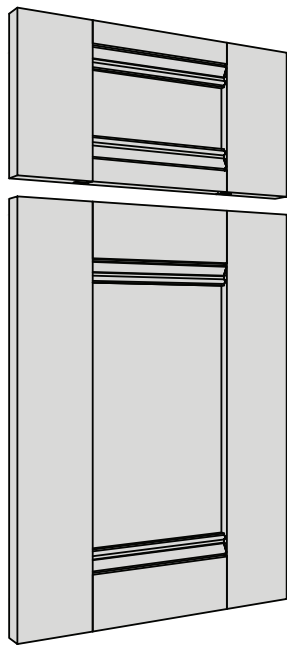
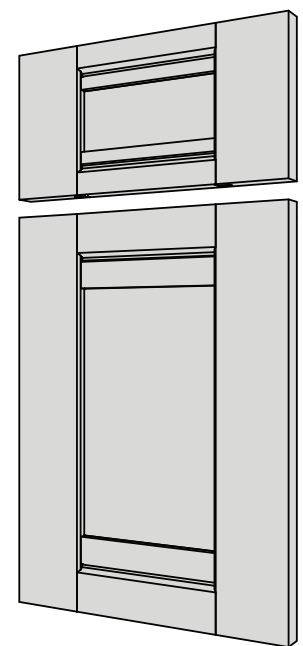
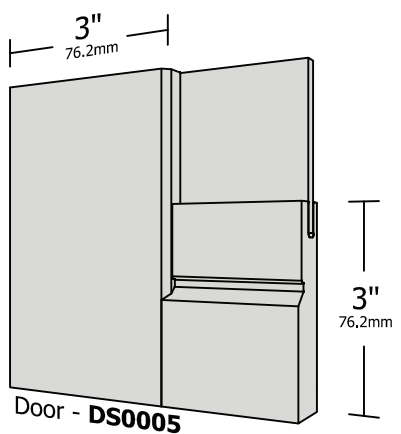
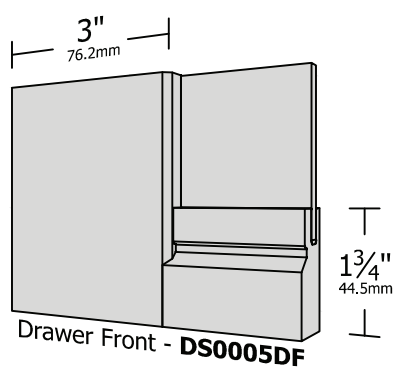
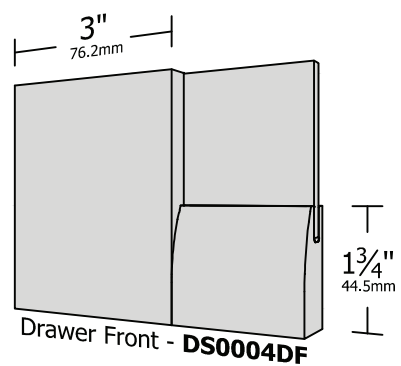
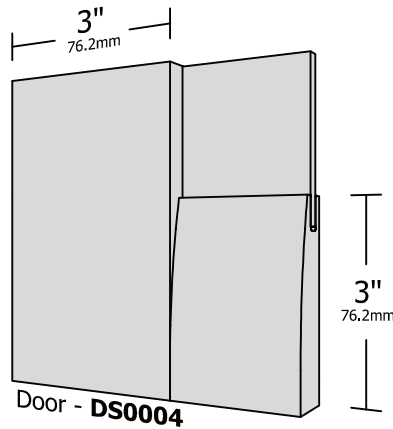
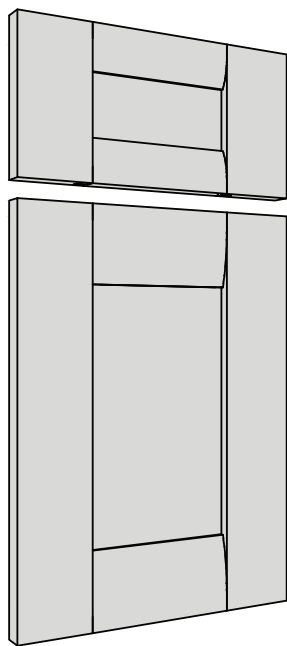




DESIGNER SERIES DOORS

WOOD PRODUCTS
2 Tenon Doors





WOOD PRODUCTS
 TENON CABINET DOORS - Designer Series Doors

2 WOOD PRODUCTS
 Tenon Doors

