



SLAB DRAWER FRONTS

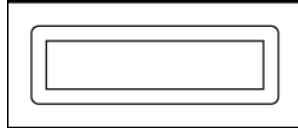


SLAB DRAWER FRONTS

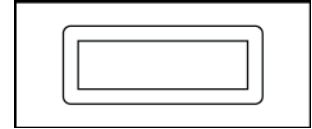
Standard Slab Drawer Fronts



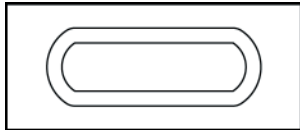
E900
Minimum Size:
4-1/4" x 4-1/4"
108mm x 108mm



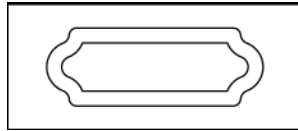
E700
Minimum Size:
4-3/8" x 4-3/8"
111.1mm x 111.1mm



E750
Minimum Size:
5-1/2" x 4-3/8"
139.7mm x 111.1mm



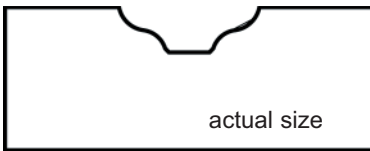
E761
Minimum Size:
5-1/2" x 5-5/16"
139.7mm x 135mm



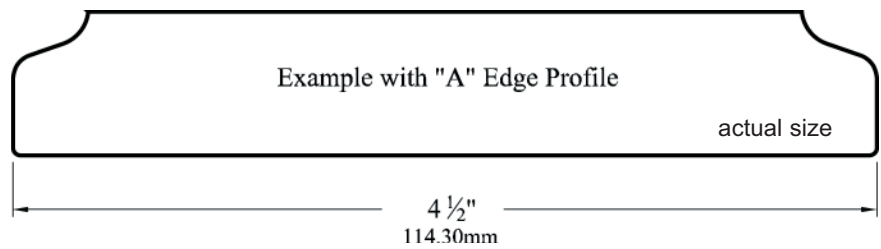
E760
Minimum Size:
5-1/2" x 4-3/8"
139.7mm x 111.1mm

Minimum sizes allow
1/2" flat for hardware.

5

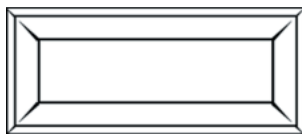


Routered Groove Profile



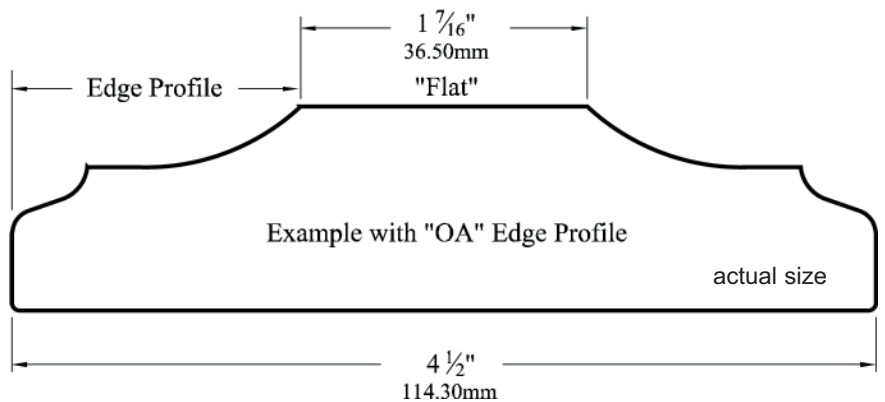
Edge profiles for E900, E700, E750, E760, E761 are shown in the Tenon Cabinet Doors section. See pages 42 & 43.

RP Slab Drawer Fronts



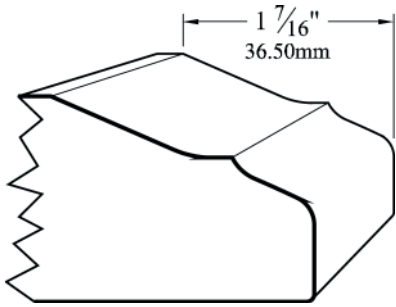
E954
Minimum Size:
4-1/2" x 4-1/2"
114.3mm x 114.3mm

Minimum size allows 1-7/16" flat
for hardware.

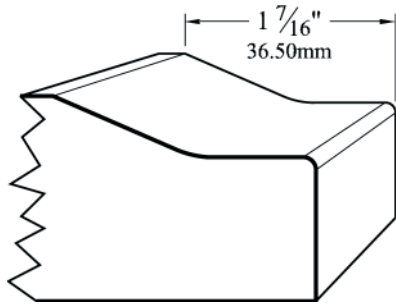


Edge profiles for E954 can be selected to match most panel and edge profiles being used on the cabinet doors in the same kitchen.

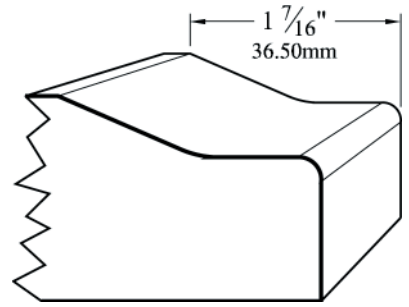
RP Drawer Front Edge Profiles



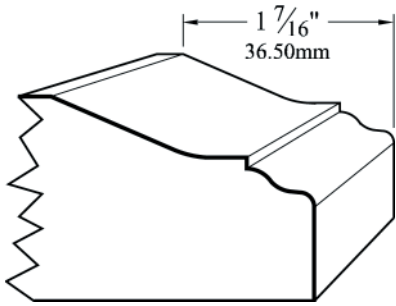
MA



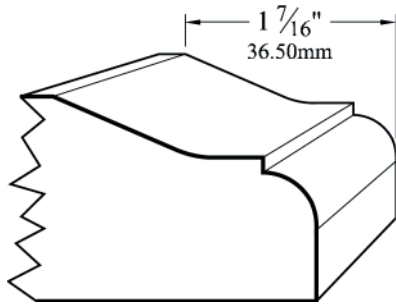
MB



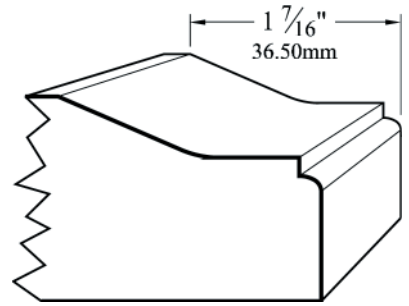
MC



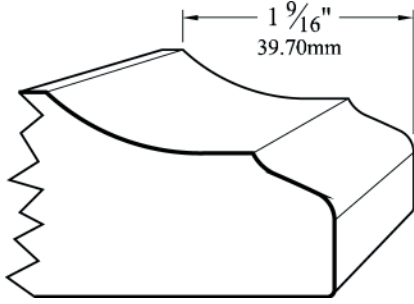
MF



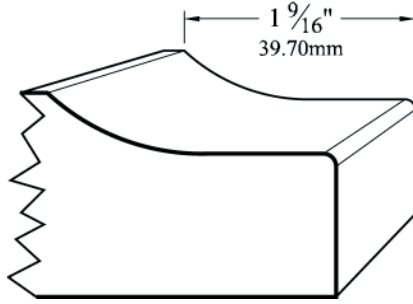
MJ



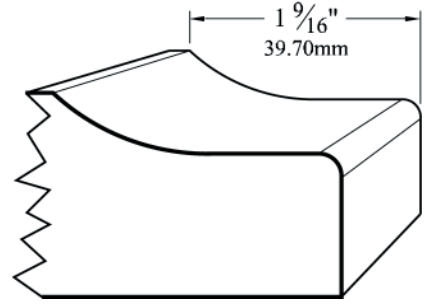
MK



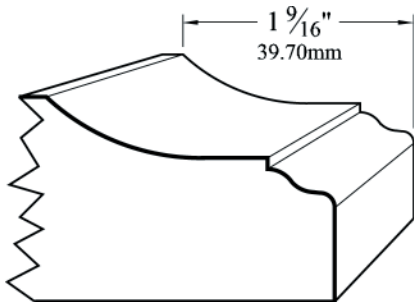
OA



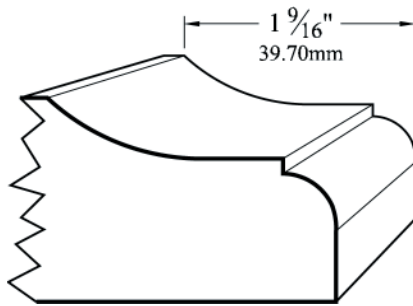
OB



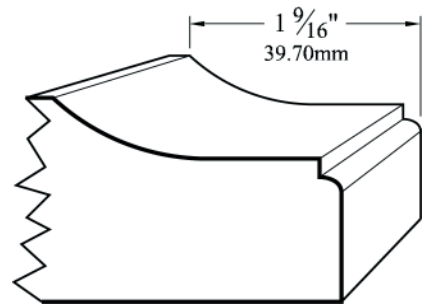
OC



OF



OJ



OK