



FRAMES AND MULLIONS



FRAMES & MULLIONS

General Information

Orders:

Elias Woodwork accepts orders in either in metric to the nearest millimeter or in inches to the nearest 1/16". Whenever you are ordering or speaking with a Customer Service Representative, please refer to cabinet doors WIDTH by HEIGHT.

Using an Elias Woodwork order form

The easy to use Frame and Mullion Door section is located on the second page of the cabinet door order form and can be used to order any frame or mullion tenon or miter door. When ordering frames, please also indicate in the designated box if you would like to receive rubber retainer molding, and select the color (brown, white or clear) that best suits your need.

Using any other order form

When using your own order forms, please be sure to indicate clearly which doors should be Open Frame or Mullion Frame doors. Indicate how many lites are required in your mullion frames, please also indicate whether you would like to receive rubber retainer molding for your frames, and choose a color (brown, white or clear) that best suits your need.

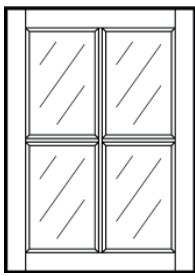
You may want to use these keywords to indicate a frame on your order form:

- Open for glass
- Glass/mirror insert
- 1 Lite frame
- Frame only
- No panel required
- Prep for glass

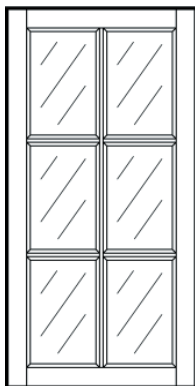
Mullions:

All mullion frames will be manufactured with equally spaced lites. Custom spacing or an odd number of lites in a frame are available, please attach a sketch or drawing with your order. A drawing is also required for any custom mullion profile, please contact your Customer Service Representative for a quote. If the number of lites is not specified for a mullion frame on a order, we will refer to the Mullion Lite Reference Chart and manufacture it accordingly. Check your order confirmations very carefully to ensure that your mullion frames will be produced as required.

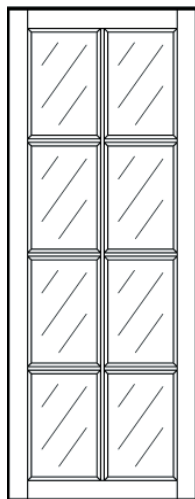
Mullion Reference Chart



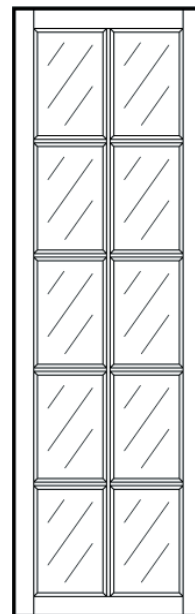
8" - 19 15/16"



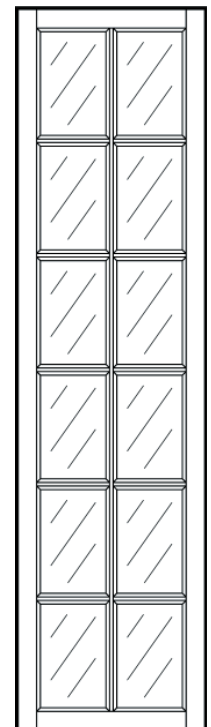
20" - 31"



31 1/16" - 42"



42 1/16" - 53"

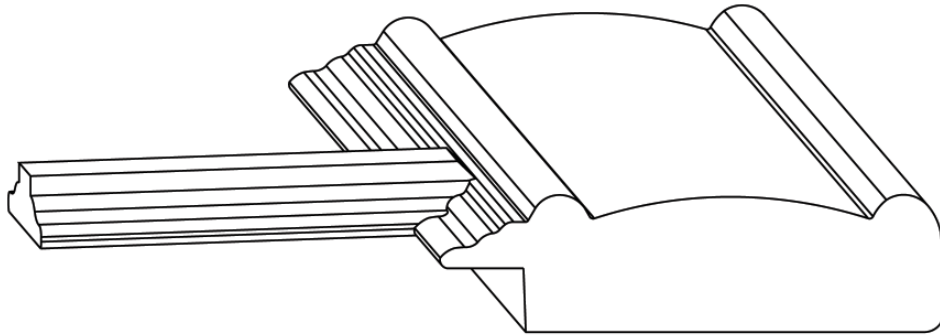


53 1/16" - 60"

Recommended number of lites in reference to height of frame.

Coped End Mullions for Miter Frames

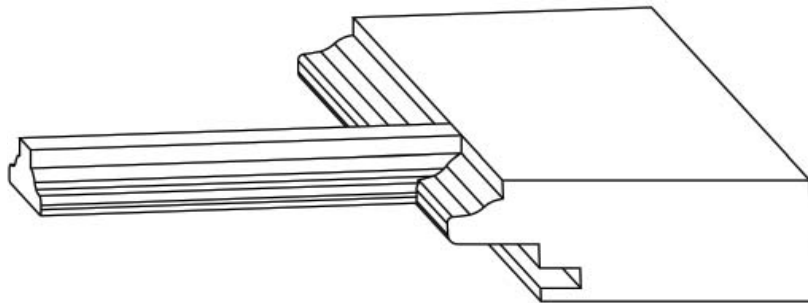
Coped end mullions are a standard feature on most of our 110+ miter frame profiles. The matching profile and depth of the coped end mullion grilles add to the overall look of a mullion frame, especially when using a glazed finish. The grilles come installed the same as a tenon mullion frame, ready for glass installation. Unfortunately they are not available on every miter profile so please be sure to check with your Customer Service Representative to check if the profile you are ordering has this option.



4

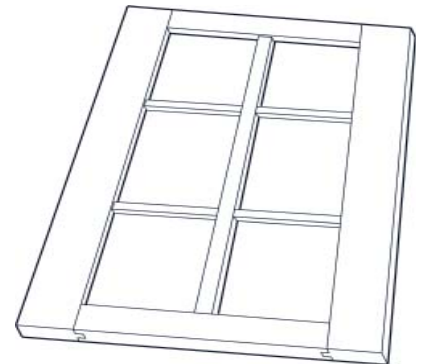
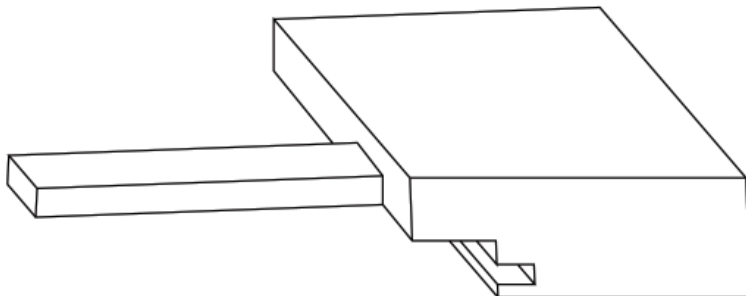
Tenon Mullion Bars

Mullion bars matching to door frame profiles for tenon door profile option 101, 102, 103, 104, 201, 202, 501, 502



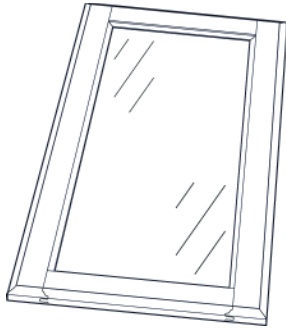
Miter & Tenon Mullion Bars

Smooth grill mullion standard for tenon doors not listed above and any miter profile that does not allow for the new Coped End Mullions.



FRAMES & MULLIONS

Tenon Frame Code Explanation

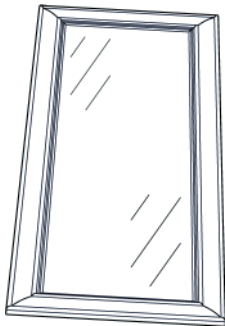


4

E500 201 FRM A 1 - - [- - - -]

- Finishing Option
- Hinge Drilling Option
- Applied Molding Option
- Number Of Panels (not mullion lites)
- Outside Edge Profile
- Panel/Frame/Mullion Option
- Stile & Rail Profile
- Door Shape

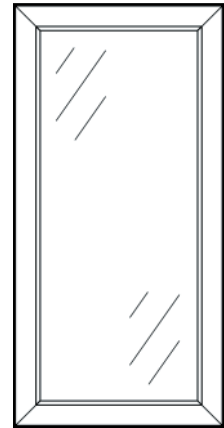
Miter Frame Code Explanation



E7500 FRM 1 - - M [- - - -]

- Finishing Option
- Type Of Miter Joint
- Hinge Drilling Option
- Applied Molding Option
- Number Of Panels (not mullion lites)
- Panel/Frame/Mullion Option
- Frame Profile

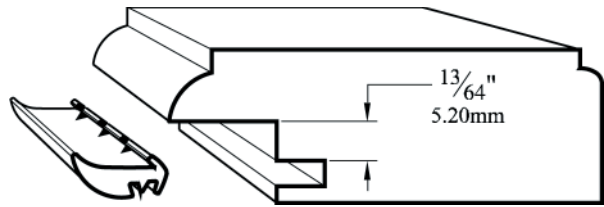
Frame Price Calculation



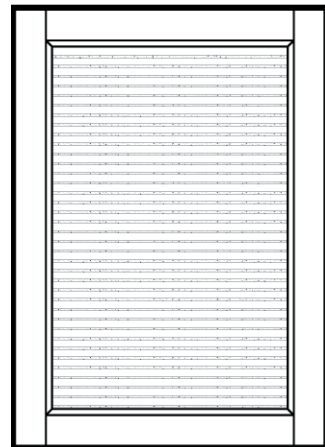
4

Rubber Glass Retainer Molding

Color:
Brown
White
Clear



Louver Insert Pricing



FRAMES & MULLIONS

Tenon Frame Glass Size Calculator

Tenon frame backs are routed with a 1/4" radius on the inside of profile. Glass size calculation below configures glass size to ensure square glass inserts will fit.

Door size - (width x 2) + (glass overlap x 2)

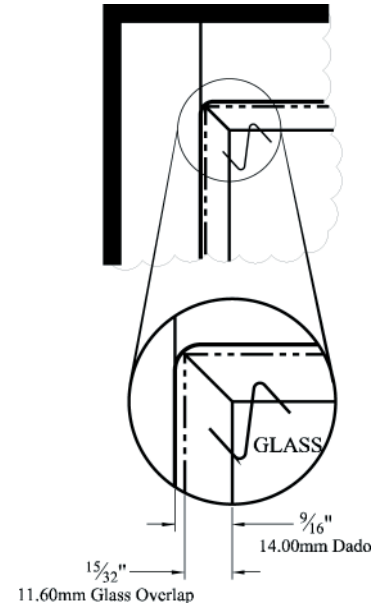
ie:

E500 101 FRM A 1 - - - - - size 15" x 30"

$$15" - (2-1/4" \times 2) + (15/32" \times 2) = 11-7/16" \text{ wide}$$

$$30" - (2-1/4" \times 2) + (15/32" \times 2) = 26-7/16" \text{ high}$$

$$\text{Glass size} = 11-7/16" \times 26-7/16"$$



4

Miter Frame Glass Size Calculator

Miter Frame Glass Size Calculator

Miter frame backs are cut out before assembly resulting in a true sharp 90° corner. Glass size calculation below configures glass size to ensure square glass inserts will fit.

Door size - (width x 2) + (glass overlap x 2)

ie:

E7500 FRM 1 - - M - - - - size 15" x 30"

$$15" - (3" \times 2) + (7/16" \times 2) = 9-7/8" \text{ wide}$$

$$30" - (3" \times 2) + (7/16" \times 2) = 24-7/8" \text{ high}$$

$$\text{Glass size} = 9-7/8" \times 24-7/8"$$

