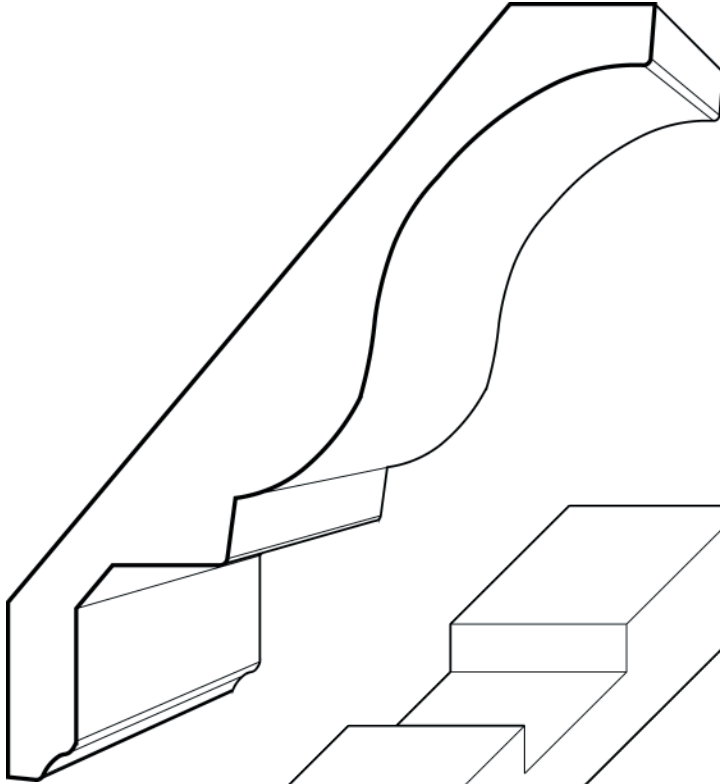
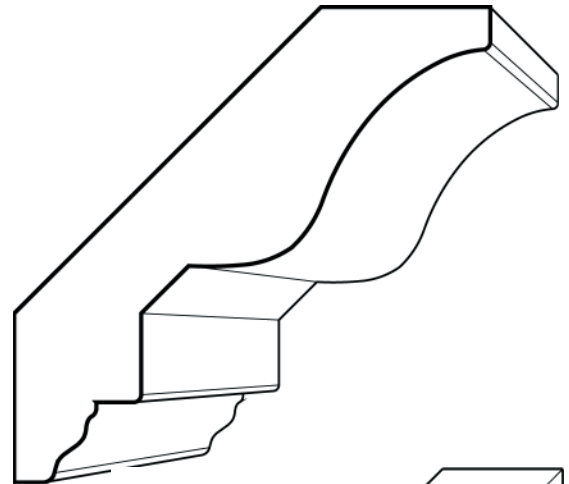


WOOD MOLDING

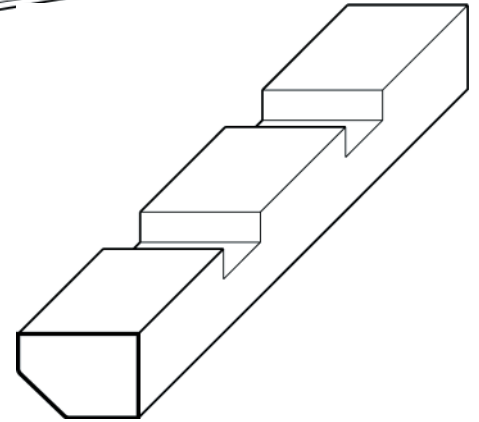
Dentil Crown and Insert Molding



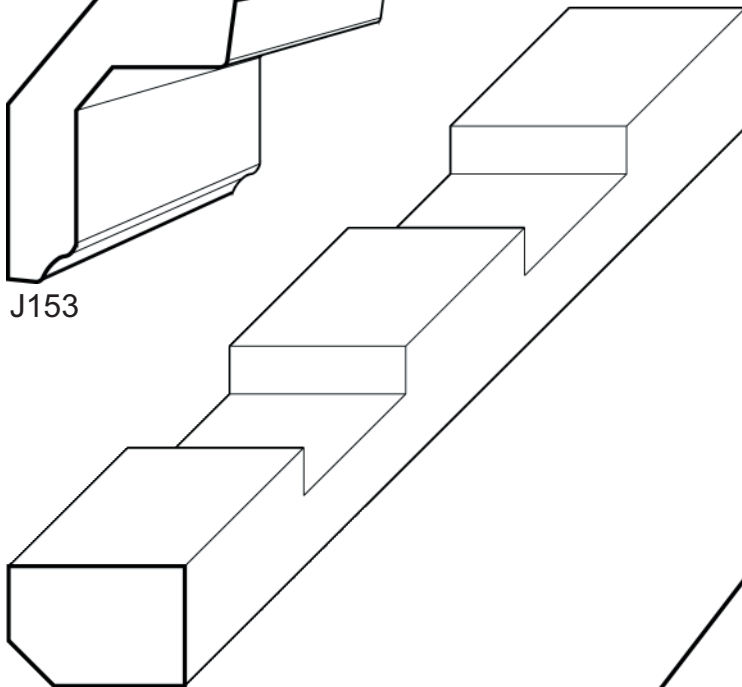
J153



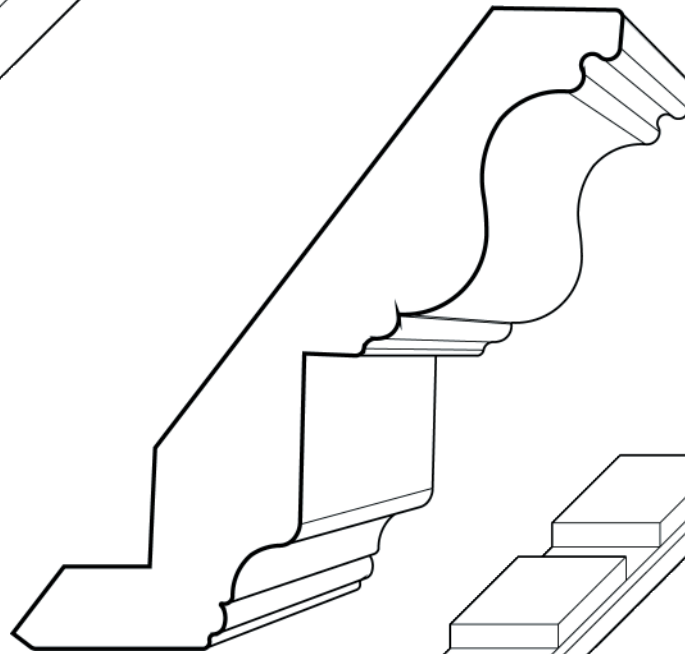
J154



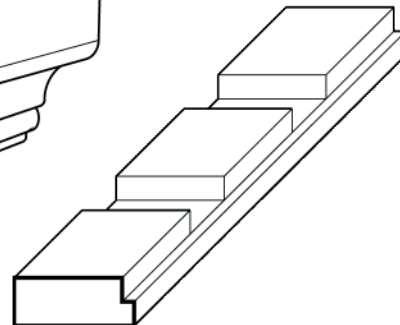
J155



J156

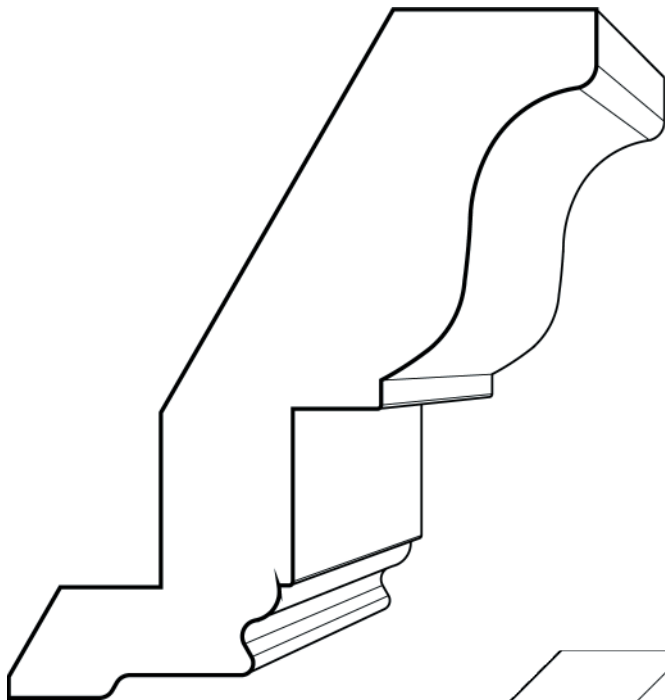


J248

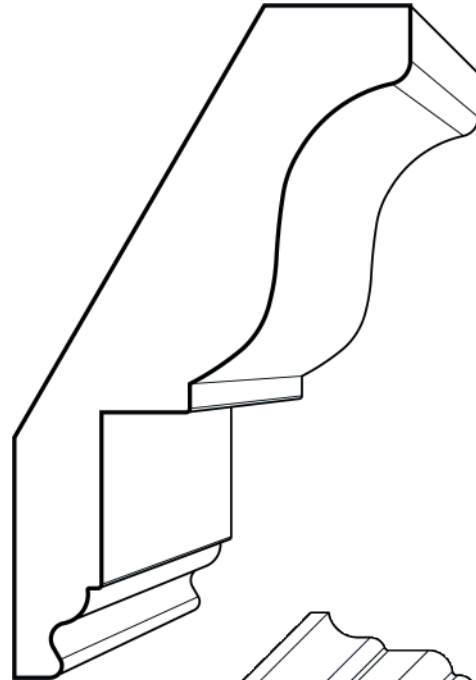


J047

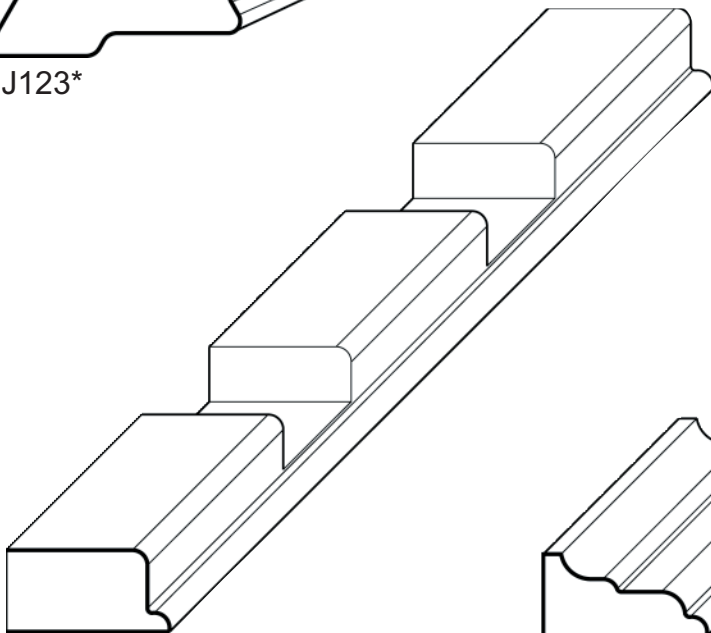
Dentil Crown and Insert Molding



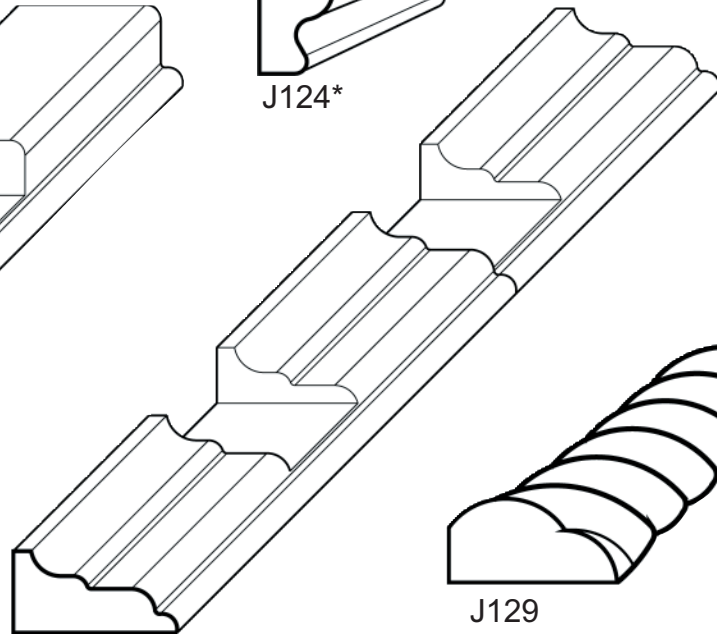
J123*



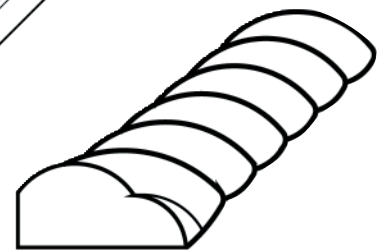
J124*



J126*

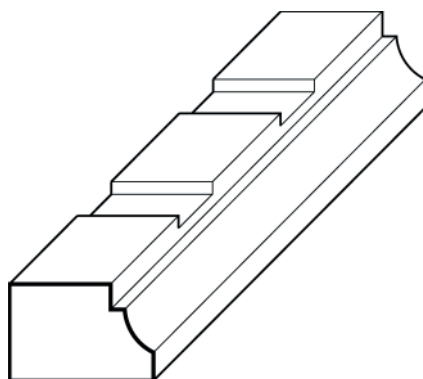


J125*

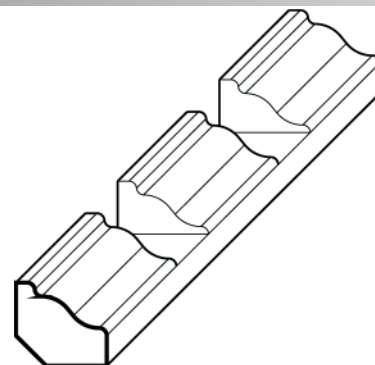


J129

Miscellaneous Dentil Molding



J132



J1029

All profiles are shown in actual size.
Product codes with an asterisk (ie: J123*) indicate at least one species that does not have a set-up charge.