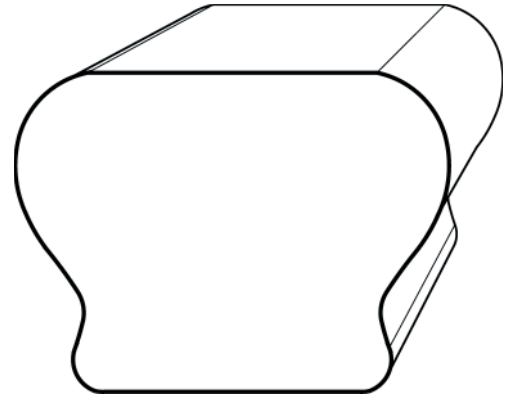
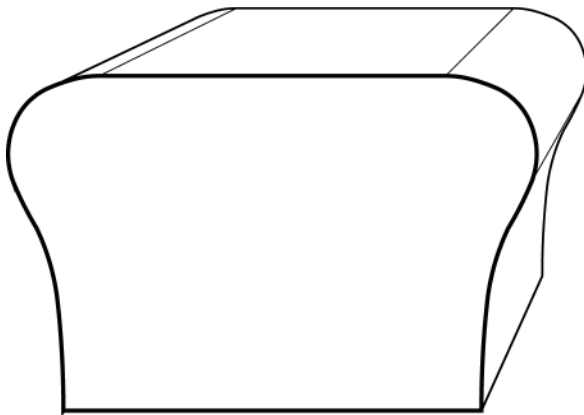


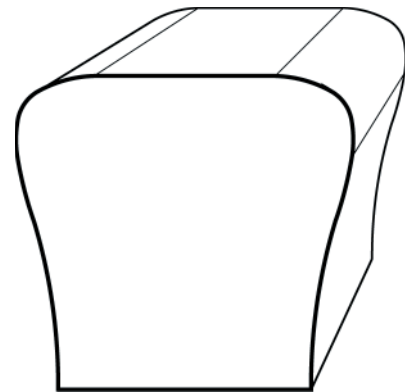
J952



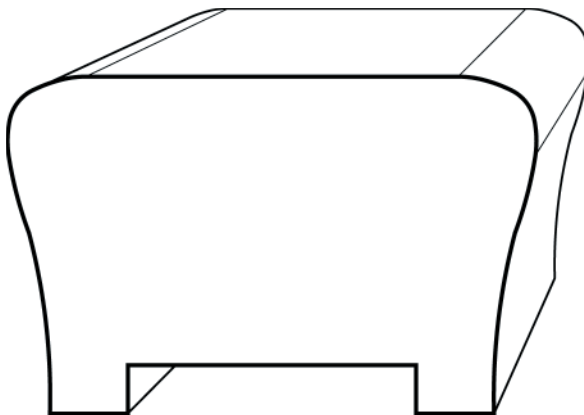
J943



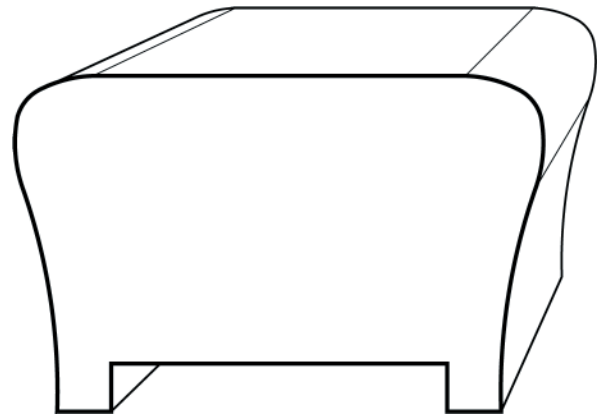
J914



J920*



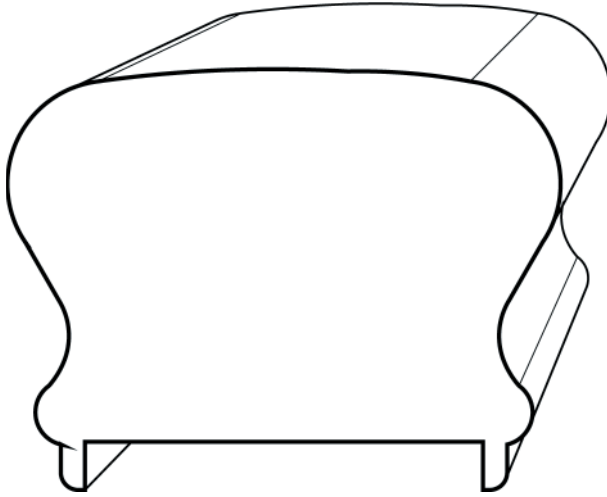
J912



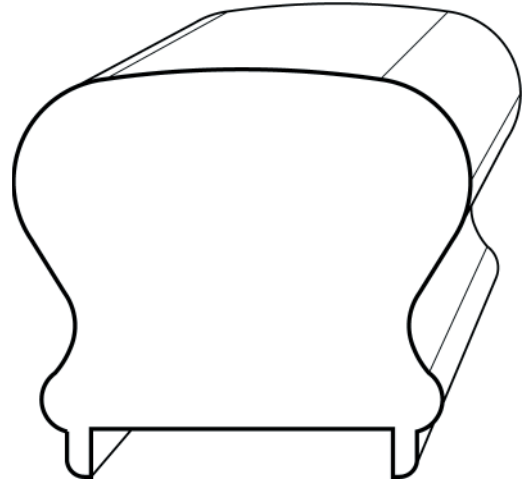
J913

WOOD MOLDING

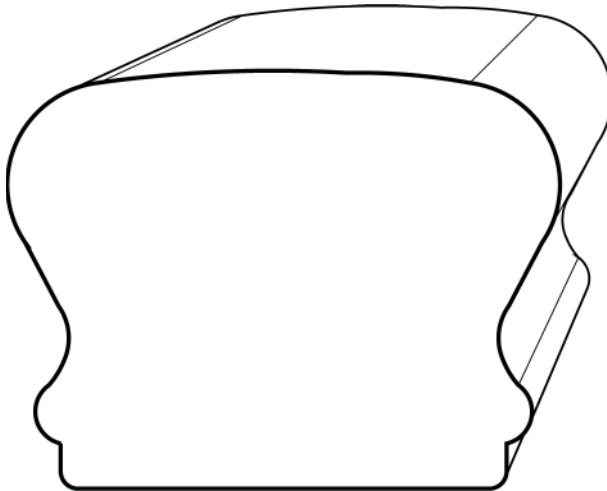
Handrail



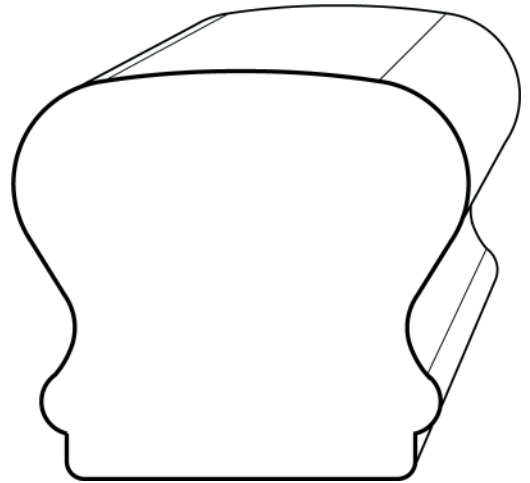
J903



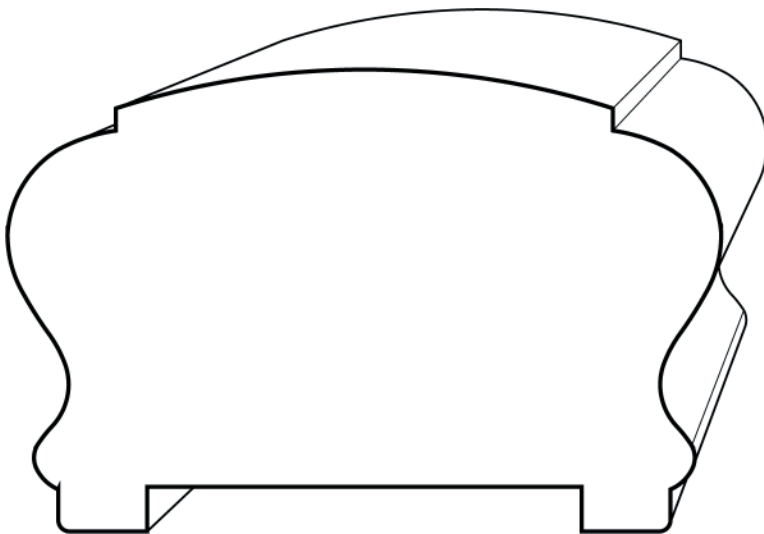
J901*



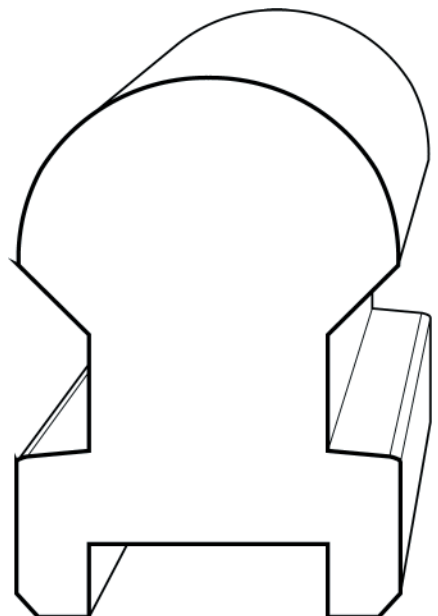
J904



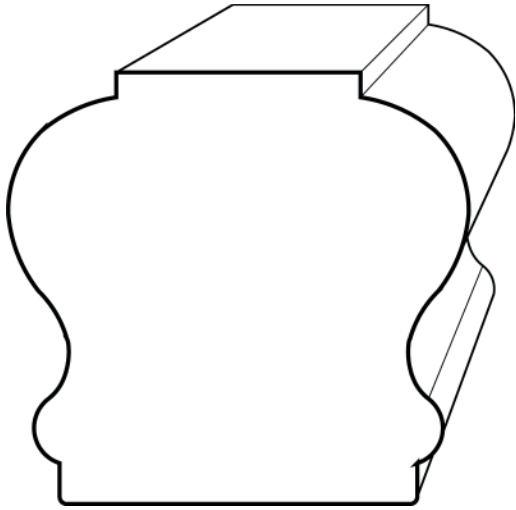
J902



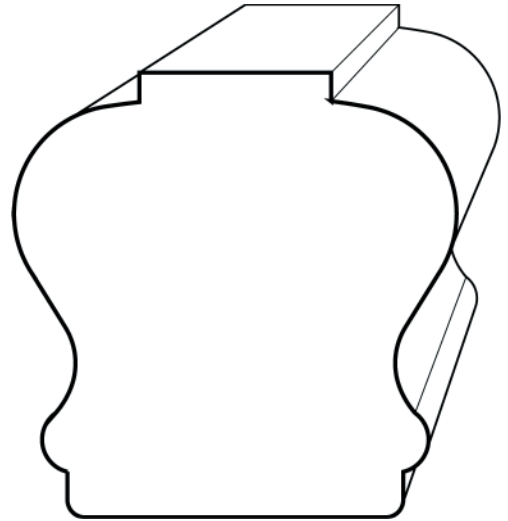
J953



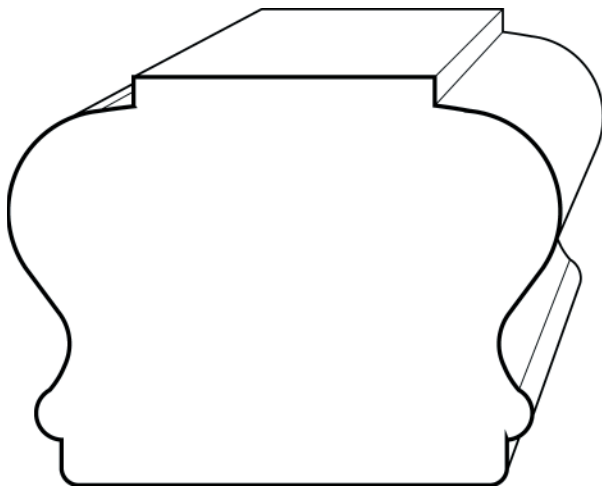
J946



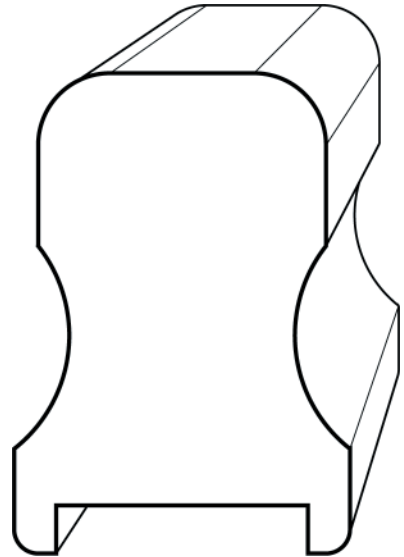
J1008



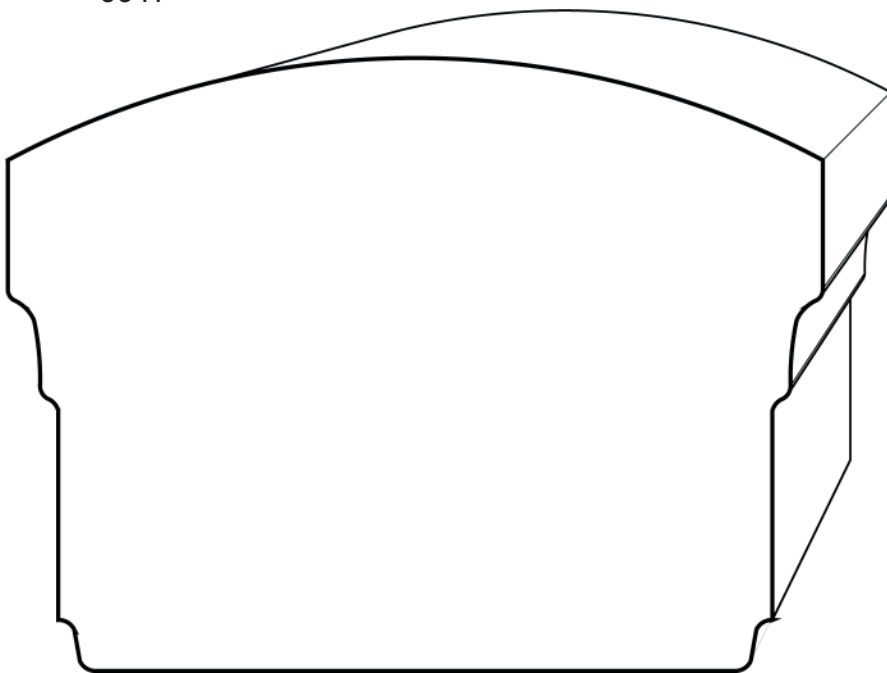
J916



J917



J384

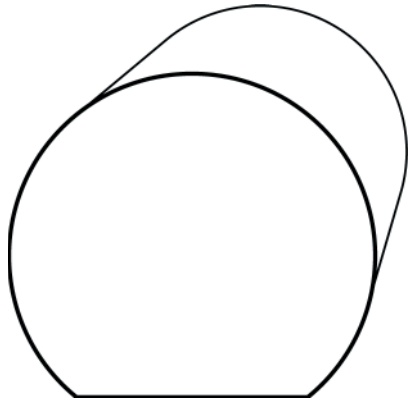


J942

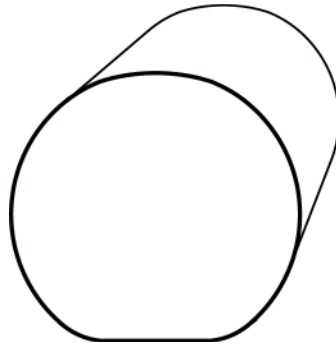
All profiles are shown in actual size.
Product codes with an asterisk (ie: J123*) indicate at least one species that does not have a set-up charge.

WOOD MOLDING

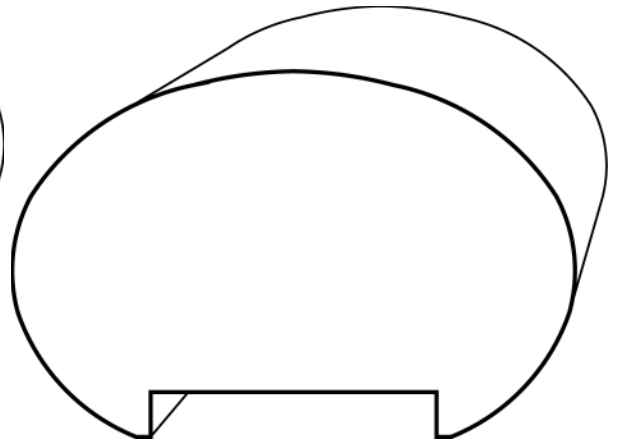
Handrail



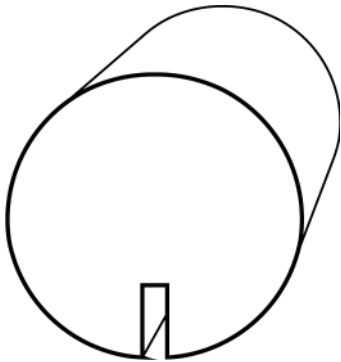
J939



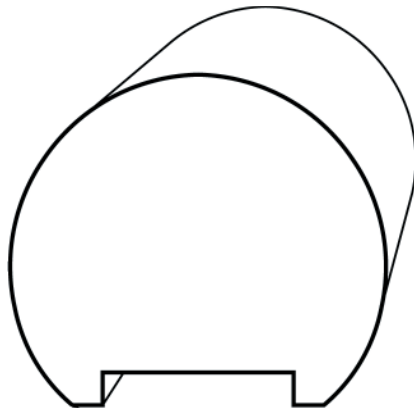
J938



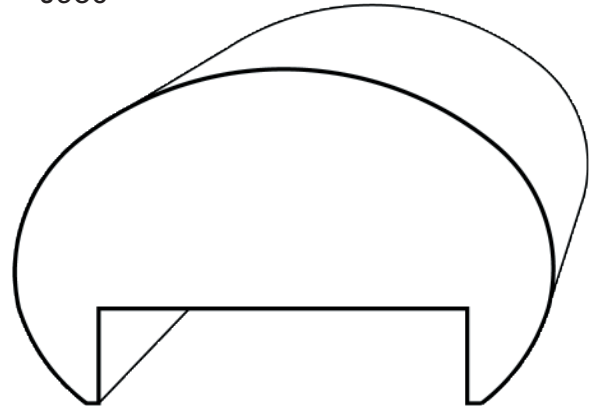
J930



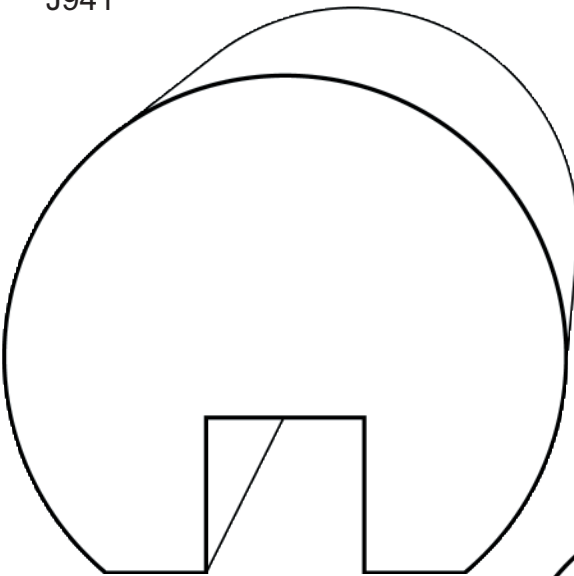
J941



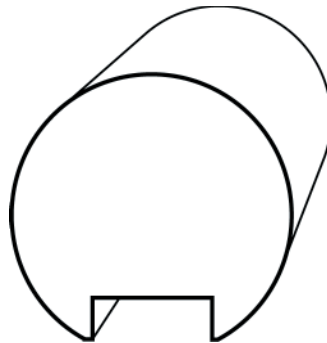
J936



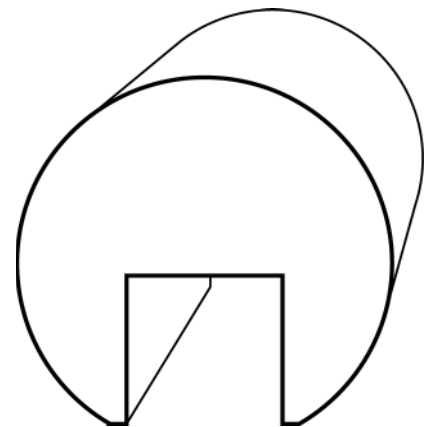
J931



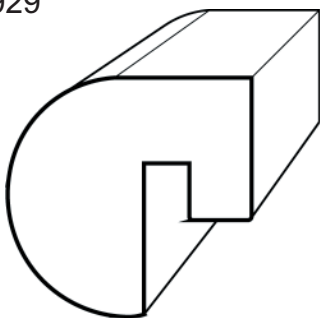
J929



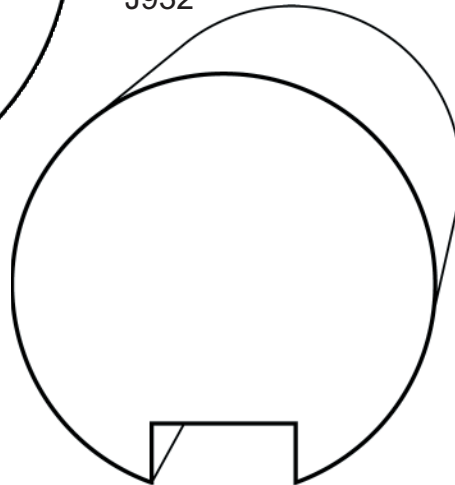
J932



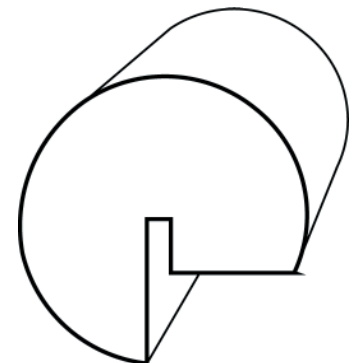
J933



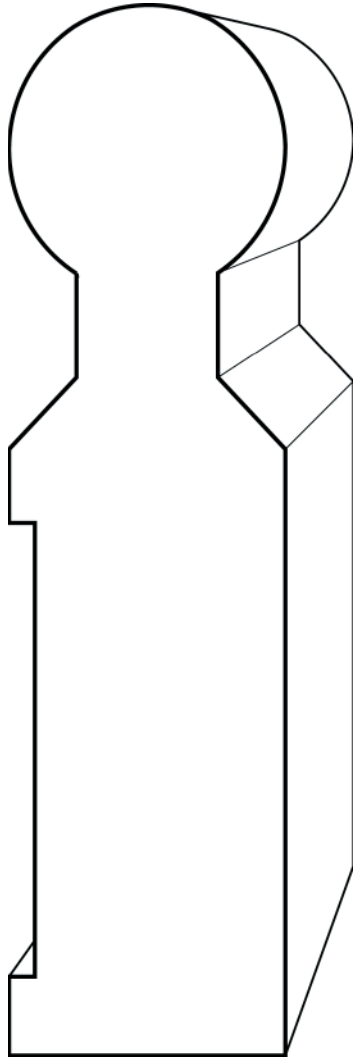
J197



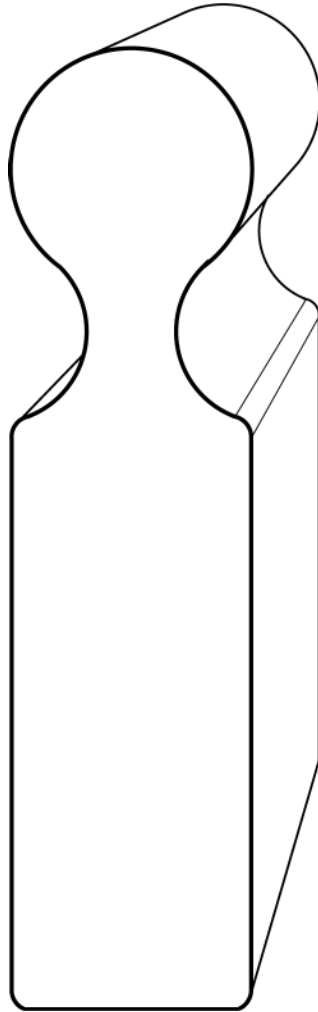
J935



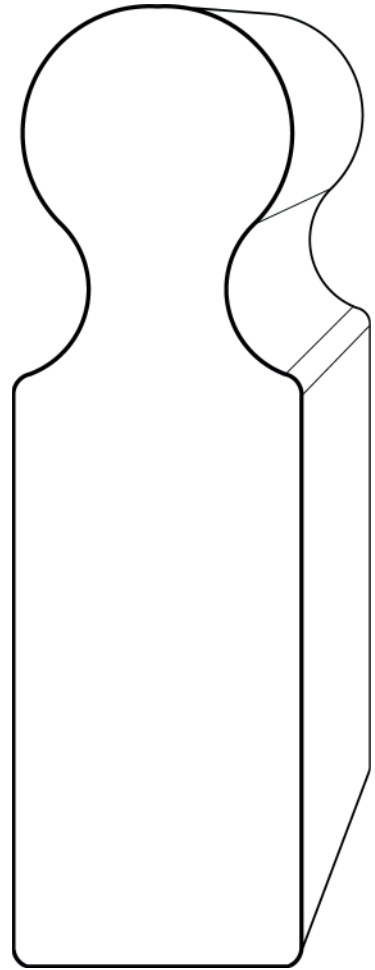
J937



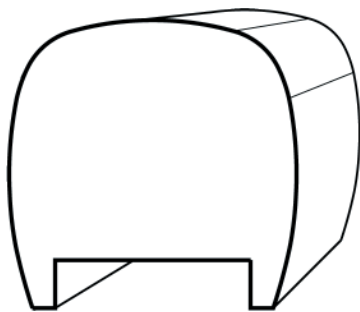
J954



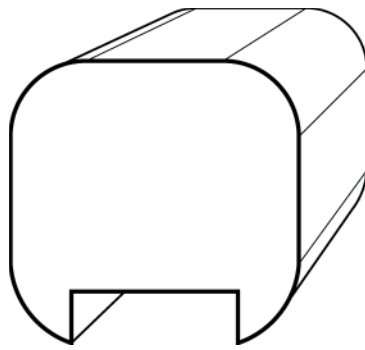
J003



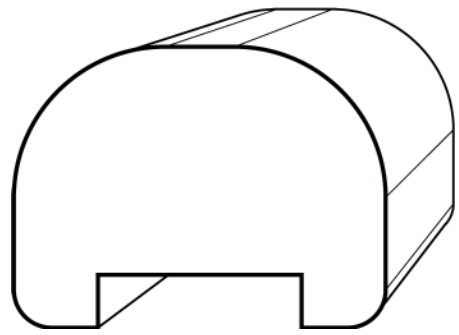
J956



J900



J910

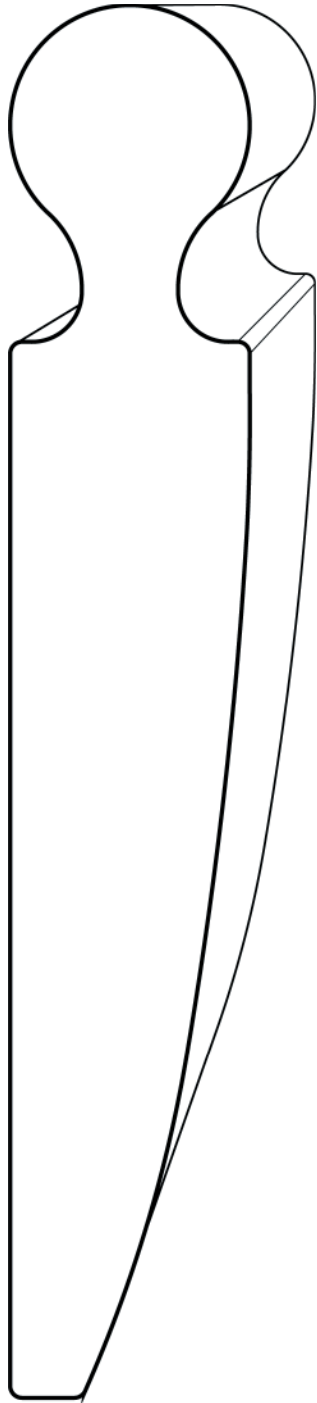


J909

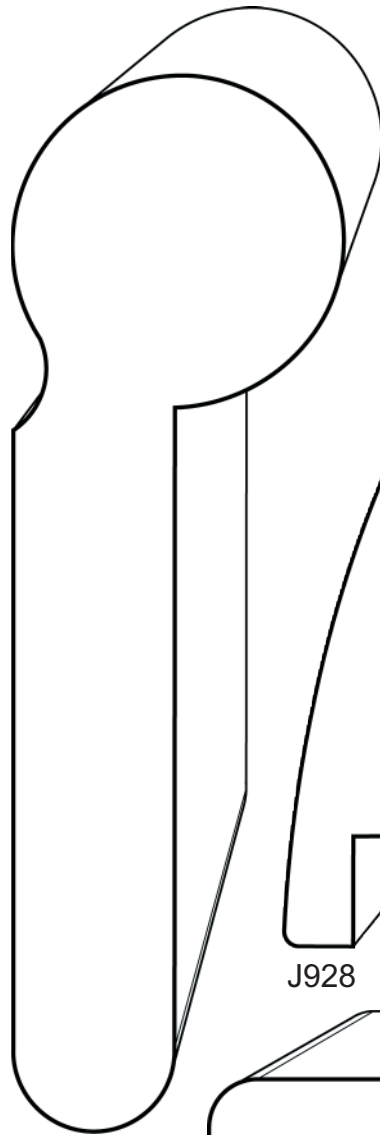
All profiles are shown in actual size.
Product codes with an asterisk (ie: J123*) indicate at least one species that does not have a set-up charge.

WOOD MOLDING

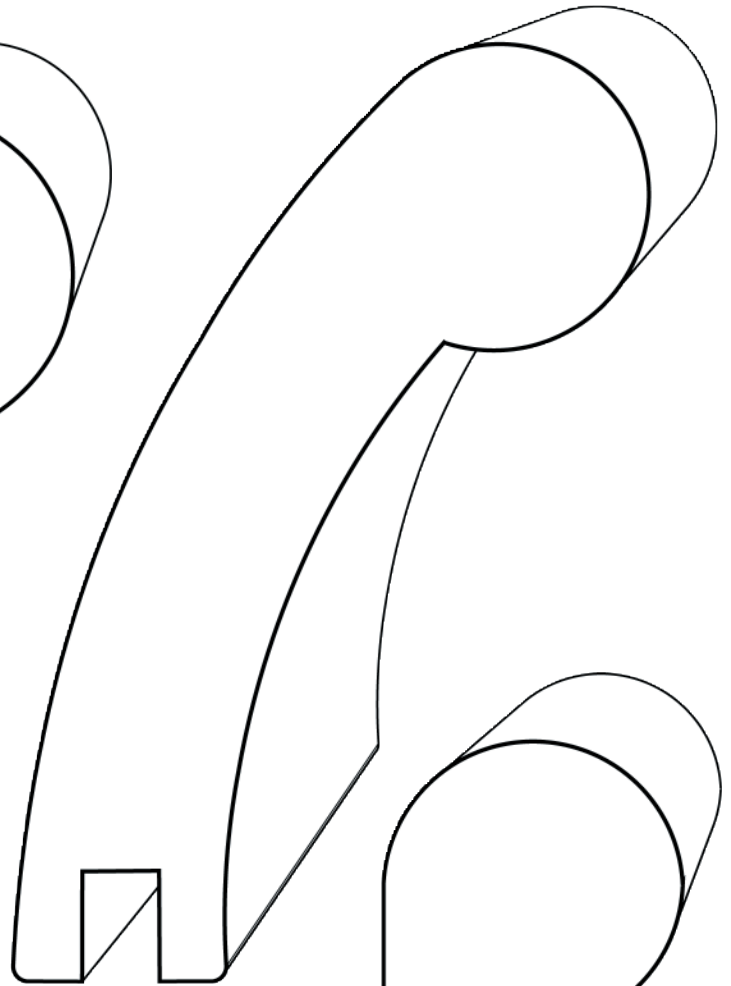
Handrail



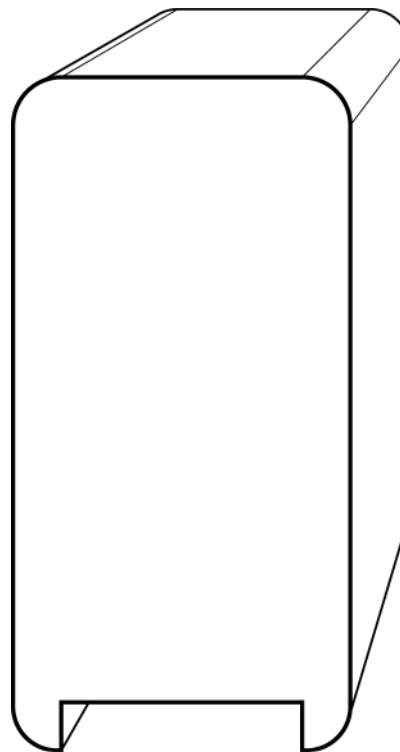
J068



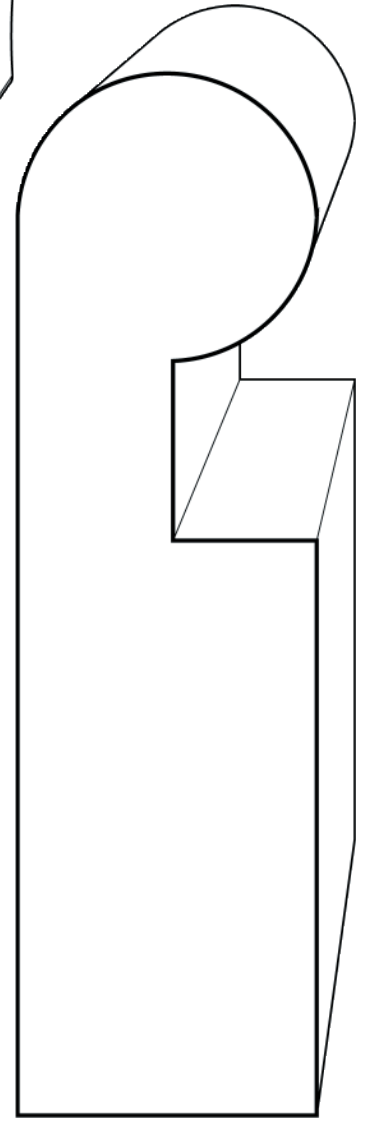
J925



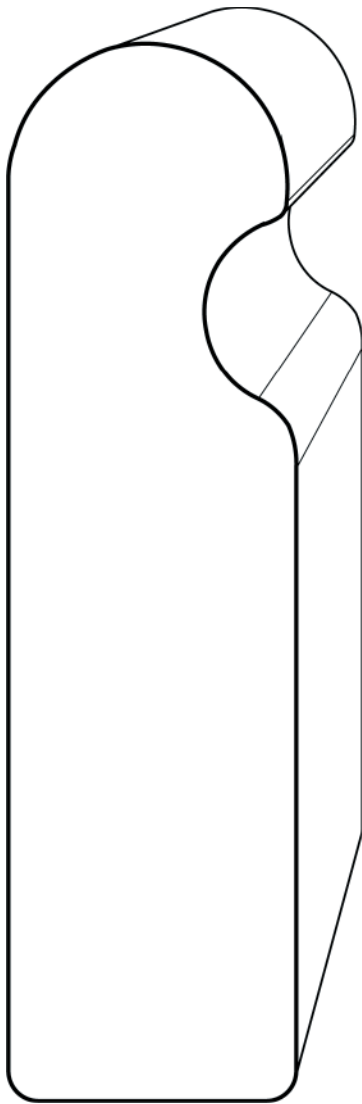
J928



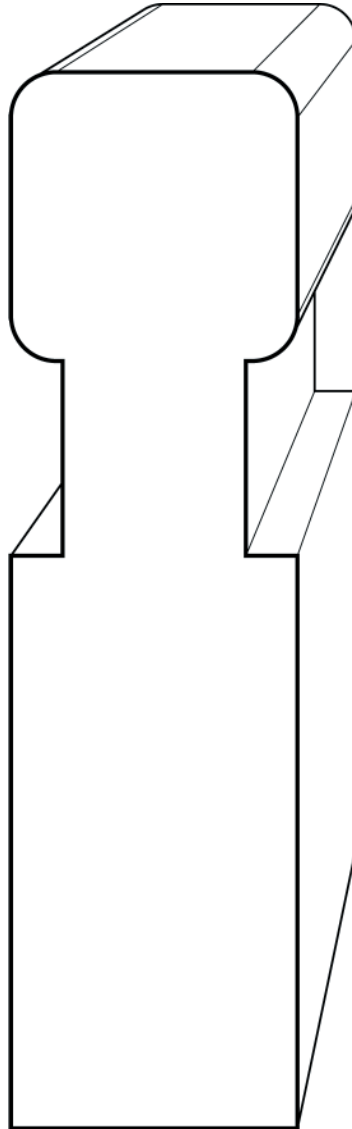
J921



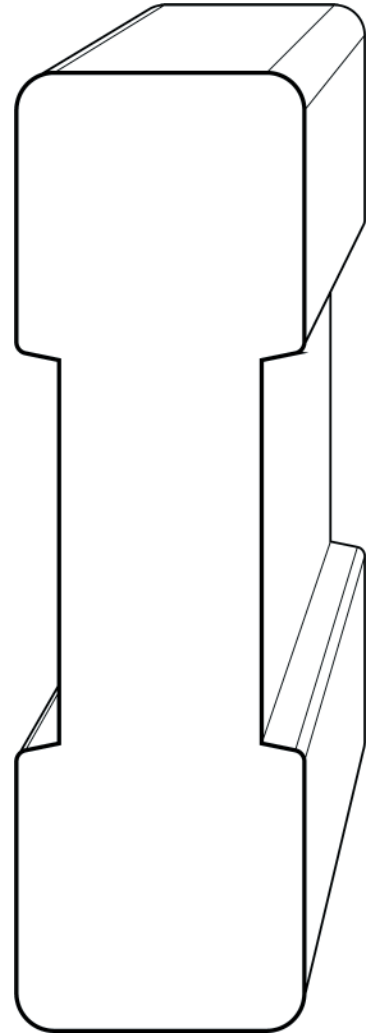
J955



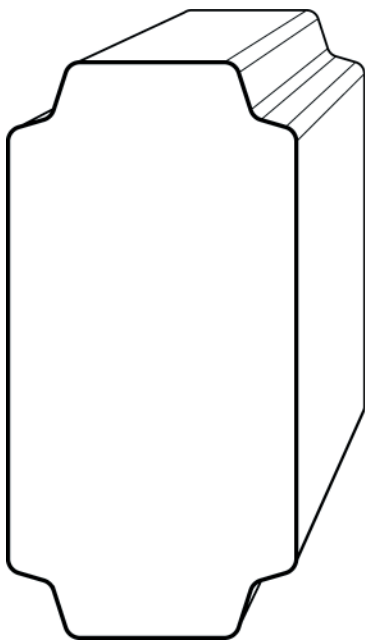
J037



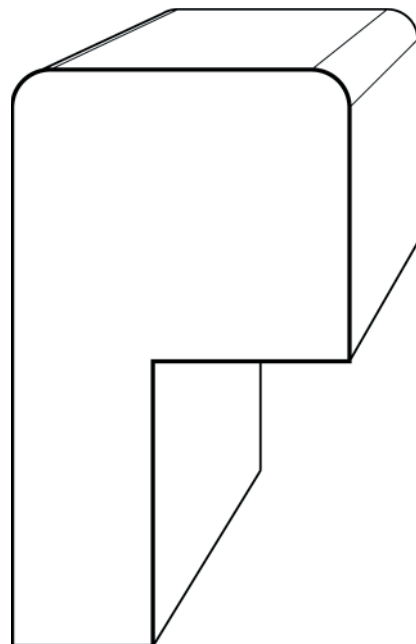
J926



J924



J951

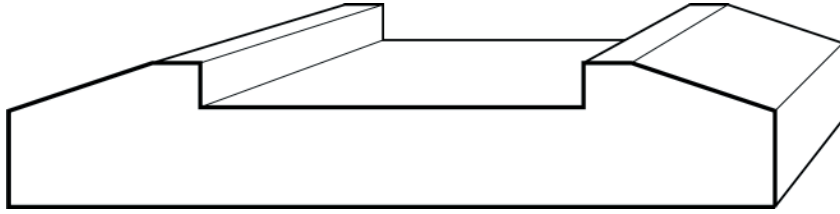


J927

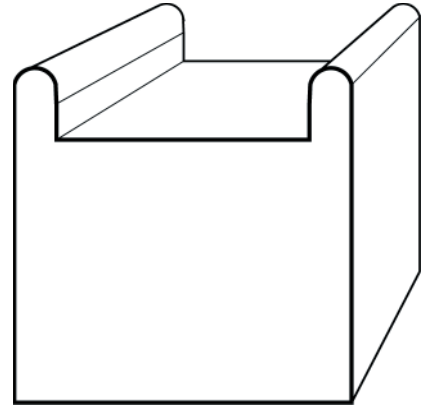
All profiles are shown in actual size.
Product codes with an asterisk (ie: J123*) indicate at least one species that does not have a set-up charge.

WOOD MOLDING

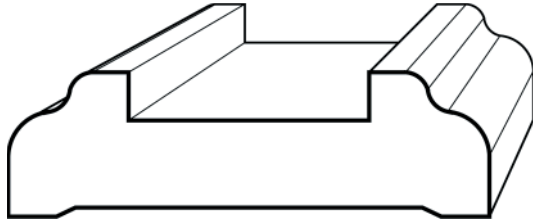
Handrail



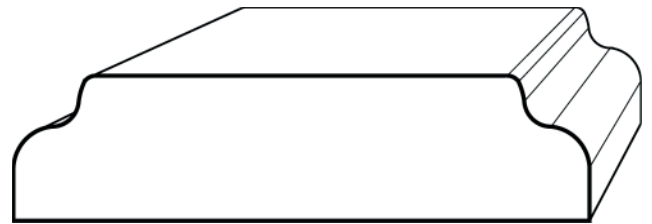
J255



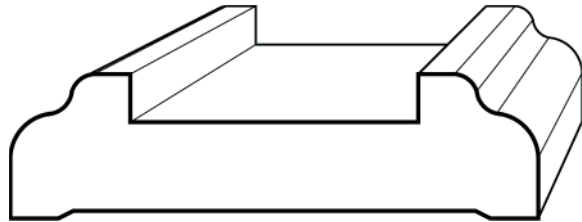
J276



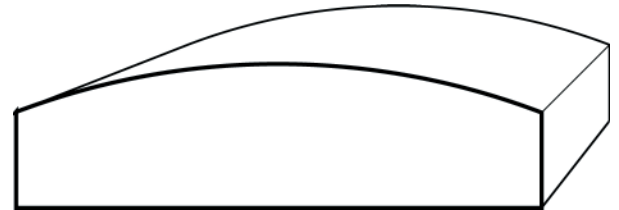
J922



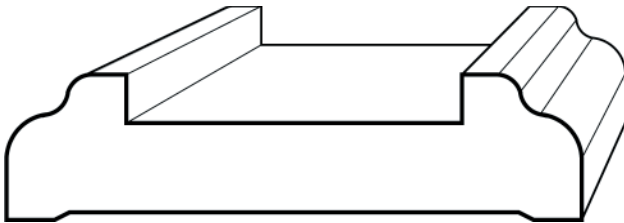
J945



J905*



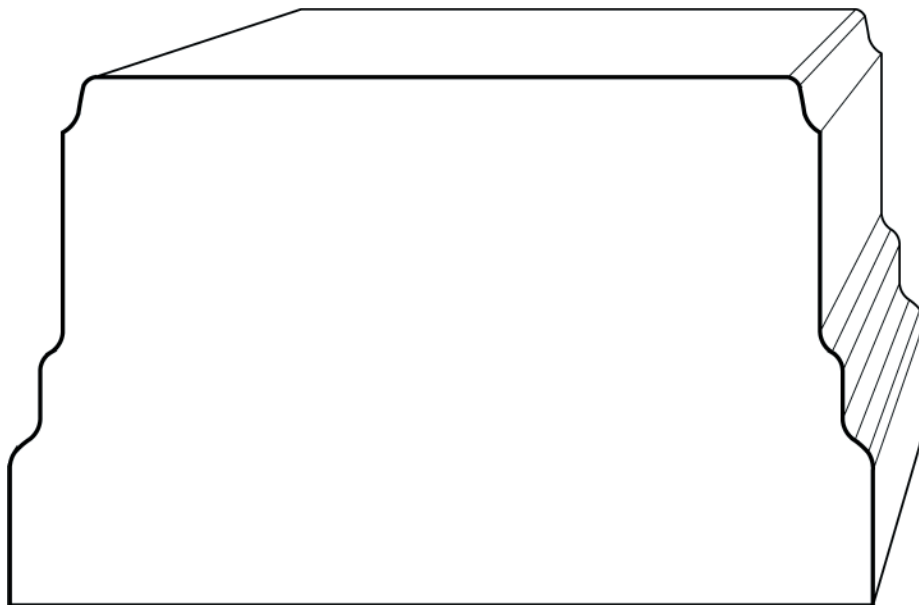
J944



J906



J908



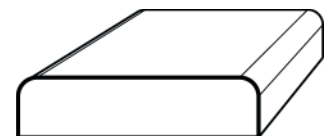
J947



J200



J907*



J923