



10

DOVETAIL DRAWERS



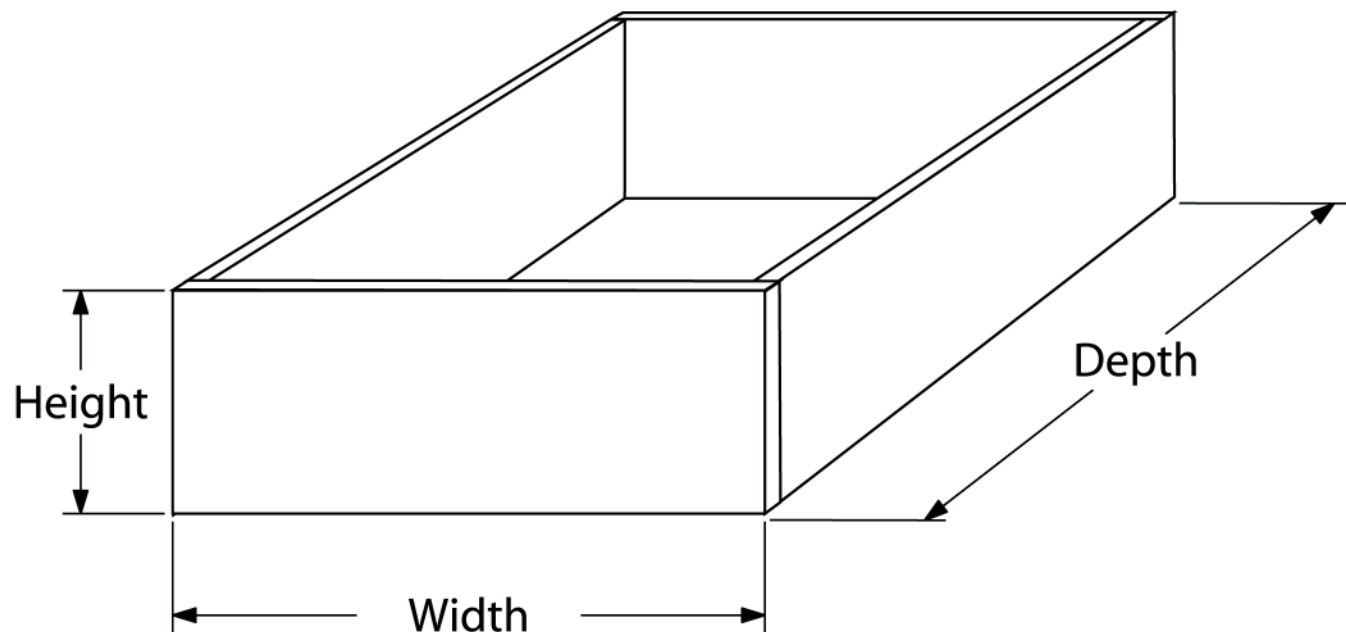
DOVETAIL DRAWERS

General Information

Ordering:

Dovetail Drawer Boxes can be ordered to specifically suit your needs. Whether you prefer to assemble the box yourself or receive it already assembled, either way the product can be produced unfinished or finished.

When ordering, please refer to drawer boxes using WIDTH x DEPTH x HEIGHT, as illustrated in the diagram below.



Tolerances:

Elias Woodwork warrants that the width and height are to be within +/- 1 mm and the depth to be within +/- 3mm.

Prefinishing:

10



Confirmations:

The Purpose:

To ensure that all information regarding wood species and grade, profiles, sizes, and ship date are correct and/or acceptable to the customer. Every order sent to Elias Woodwork will have a confirmation sent back to the customer to verify that we understand what you want.


How to Use / Read:

Please read each of the highlighted sections on the confirmation carefully. Note that each of the highlighted areas correspond with dovetail drawer box codes only. If your confirmation has any other products listed, check the “confirmation” page in each of those sections to verify the codes and their layout on the confirmation.

The ship date, especially the date shown in the “Service Level” chart will only take effect when the confirmation has been received by Elias Woodwork. The ship date shown on the confirmation is only valid if you follow these instructions.

If your customers require faster lead times, don’t forget that you can take advantage of changing your ship date in the “Service Level” chart on the confirmation!

Latest scheduled ship date if order is confirmed as shown



ORDER CONFIRMATION

Ph. (204) 325-9962 Fax (204) 325-5617
Toll Free (800) 665-0623 www.eliaswoodwork.com

WORK ORDER No. 211319
ORDER DATE 5/23/2007

Please check this confirmation and fax back your approval.
NOTE: This Order will NOT be put into production until confirmed!!

Mailing Address The Cabinet Shop 123 Any St Anytown Canada XXX XXX	Shipping Address The Cabinet Shop 123 Any St Anytown Canada XXX XXX
--	---

ACCOUNT #	SCHEDULED SHIP DATE	PO #	TERMS
07984	6/13/2007	NONE	n/30

***Scheduled ship date applies only if confirmed by 7:30am CST the following business day.**

Production Notes: Finish Detail: Clear Lacquer

QTY	PRODUCT CODE	DESCRIPTION	X SIZE	Y SIZE	Z SIZE	\$ / Unit
3 pcs.	D101 T63 - B25 - R50 A K100	Soft Maple -- Dovetail Drawer Box -- 5/8" Thick, No Hand pull, 1/4" Ply Bottom, No Notch, 1/2" Recess, Assembled	S 24.0000	18.0000	2.2500	
2 pcs.	D101 T63 - B25 - R50 A K100	Soft Maple -- Dovetail Drawer Box -- 5/8" Thick, No Hand pull, 1/4" Ply Bottom, No Notch, 1/2" Recess, Assembled	S 19.2500	21.0000	3.2500	
1 pcs.	D101 T63 - B25 - R50 A K100	Soft Maple -- Dovetail Drawer Box -- 5/8" Thick, No Hand pull, 1/4" Ply Bottom, No Notch, 1/2" Recess, Assembled	S 19.2500	21.0000	5.7500	
1 pcs.	D101 T63 - B25 - R50 A K100	Soft Maple -- Dovetail Drawer Box -- 5/8" Thick, No Hand pull, 1/4" Ply Bottom, No Notch, 1/2" Recess, Assembled	S 19.2500	21.0000	8.6250	
2 pcs.	D101 T63 - B25 - R50 A K100	Soft Maple -- Dovetail Drawer Box -- 5/8" Thick, No Hand pull, 1/4" Ply Bottom, No Notch, 1/2" Recess, Assembled	S 15.7500	21.0000	4.2500	

Listed unit prices are based on 'Economy' service level.

SUB TOTAL :	
TAXES :	
TOTAL :	

• If confirmed by 7:30am CST the following business day, your order will go into production on : May 24, 07

• Please SELECT a PRODUCTION SERVICE LEVEL

<input type="checkbox"/> Urgent Express (3 Days)	<input type="checkbox"/> Priority Plus (5 Days)	<input type="checkbox"/> Optimum Advantage (11 Days)	<input type="checkbox"/> Economy (11 - 15 Days)
---	--	---	--

• Estimated Transit time is (days) : 2

Everything is correct, put into production
 Put into production with the above changes
 Redo confirmation with the above changes

Signature: _____
Date: _____

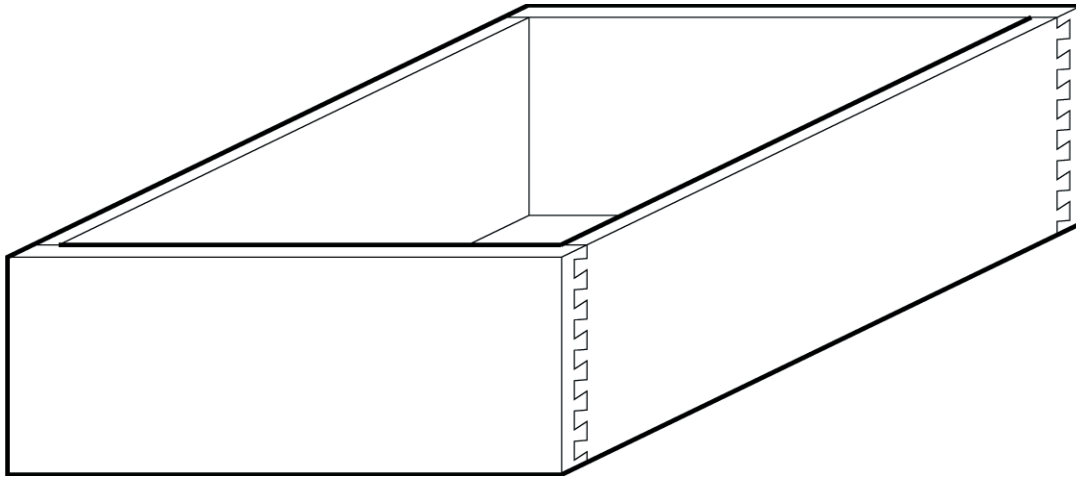
One box must be checked

One box must be checked

All unit prices and total are based on 'Economy' service level

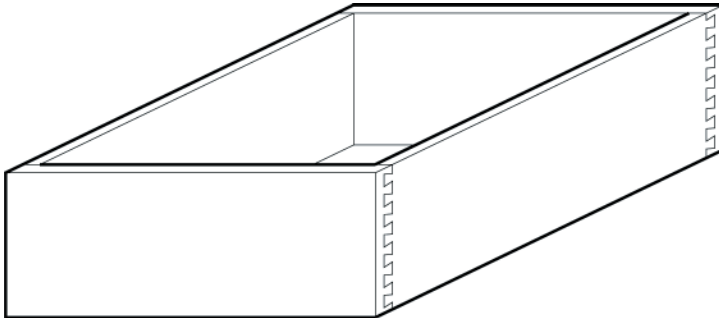
DOVETAIL DRAWERS

Dovetail Drawer Code Explanation

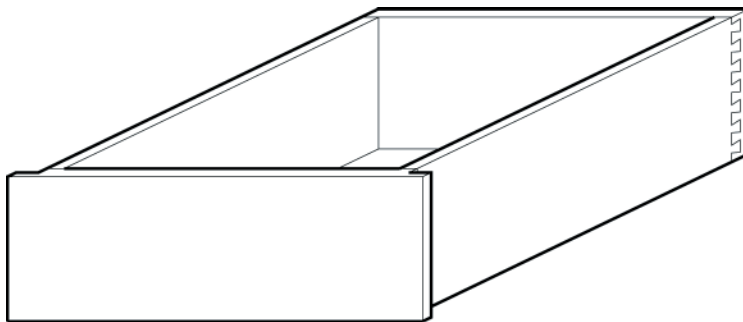


- D101 T50 H B25 N1 R0 A K100
- Finishing Option
 - Assembly
 - Bottom Recess
 - Notching
 - Bottom option
 - Hand Pull Option
 - Side Material Option
 - Drawer Box Style

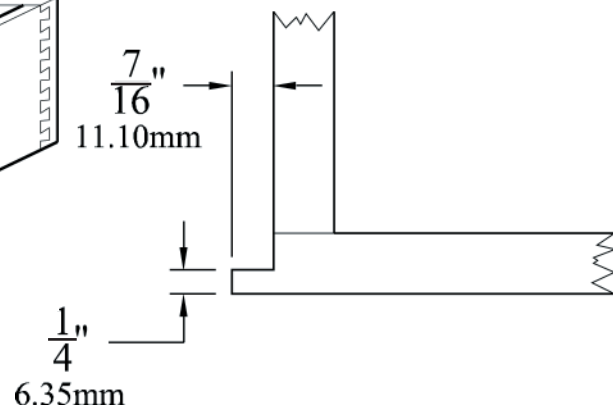
High End Kitchen / Furniture Boxes



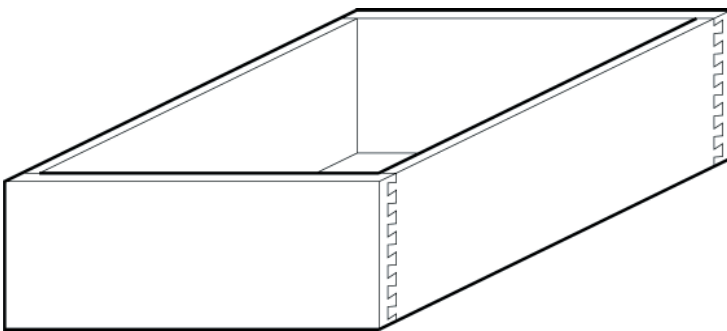
D101



D103



Economical Drawer Boxes



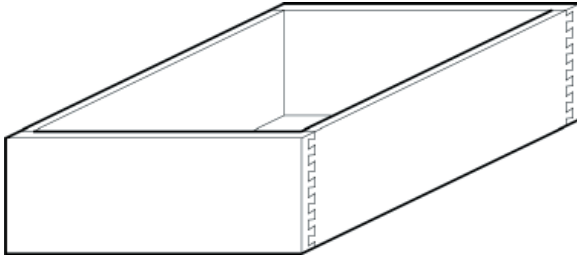
D104

The D104 Dovetail Drawer Box is an economical choice for today's Kitchen Industry.

The D104 is similar in structural design and overall appearance as the D101 only with minor production variances providing a more economical drawer box. The differences include, the underside of the box may have slight machining scars, a label, pencil marks and/or minor material defects. When ordered prefinished, the underside will remain unfinished unless specified otherwise. The exterior of the front and back pieces may also have slight machining scars and minor material defects that are considered unseen after installation. The side and top of material will be free of any defects and scars to provide a clean quality drawer box.

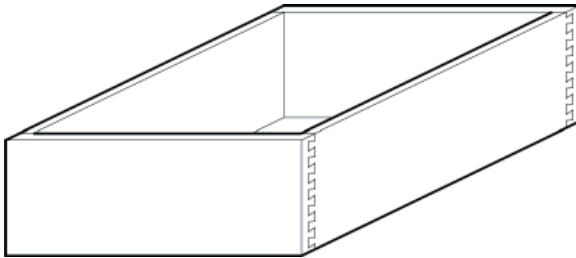
DOVETAIL DRAWERS

D101 / D103 Price Calculations



$(\text{Width} + \text{Depth}) \times 2 = \text{perimeter of box in inches.}$

D104 Price Calculations

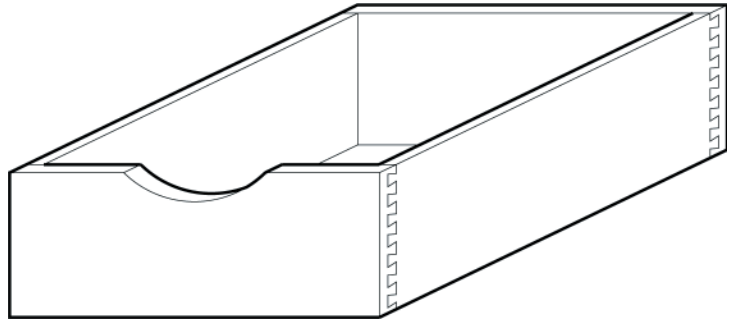


$(\text{Width} + \text{Depth}) \times 2 = \text{perimeter of box in inches.}$

Hand Pull Options



Front View



Side Material Options



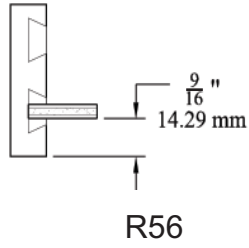
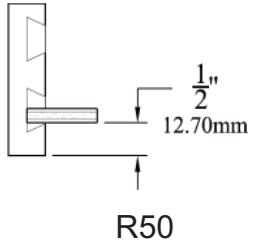
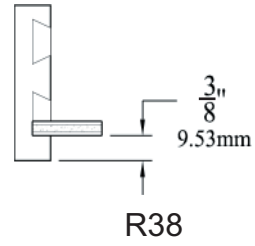
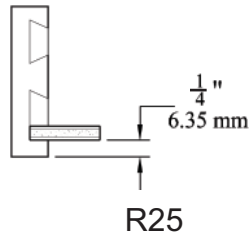
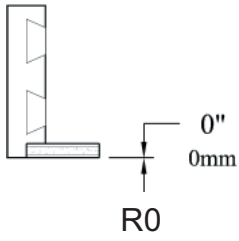
$\frac{1}{2}$ "
12.70mm
T50



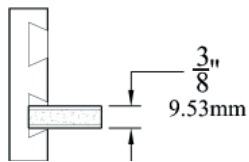
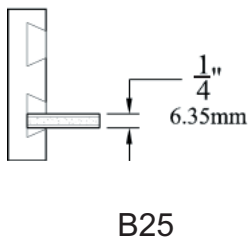
$\frac{5}{8}$ "
15.88mm
T63

DOVETAIL DRAWERS

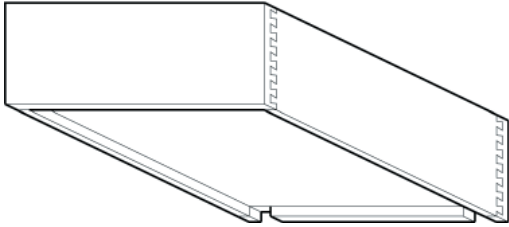
Recess Options



Bottom Panel Options

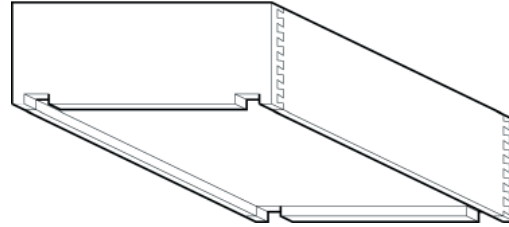


Notching Options



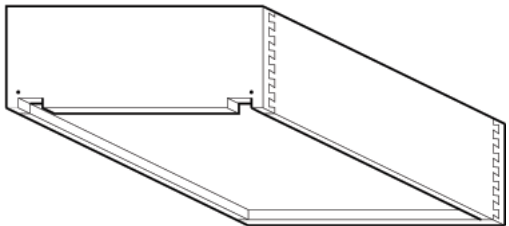
N1 Back only

Recommended for US hardware



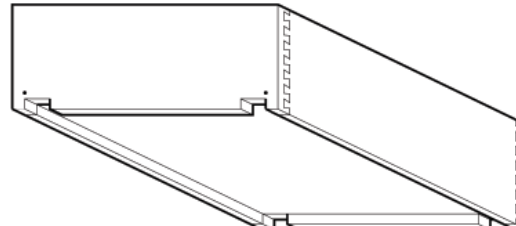
N2 Front and Back

Recommended for Canadian hardware



T1 Back only

Recommended for US hardware



T2 Front and Back

Recommended for Canadian hardware

How To Calculate Box Prices

DOVETAIL DRAWERS

Dovetail Drawer Option Comparison

Specs & Available Options	D101	D103	D104
QUALITY:			
Dovetail joints are filled with putty and sanded after assembly.	X	X	
OPTIONS:			
Hand Pull	X	X	X
0" Recess	X	X	X
1/4" Recess	X	X	X
3/8" Recess	X	X	X
1/2" Recess	X	X	X
9/16" Recess	X	X	X
1/2" Side Material	X	X	X
5/8" Side Material	X	X	X
1/4" G2S Plywood Bottom	X	X	
3/8" G2S Plywood Bottom	X	X	
1/4" G1S Plywood Bottom			X
N1 Notching	X	X	X
N2 Notching	X	X	X
T1 Notching	X	X	X
T2 Notching	X	X	X
Pullout "ears"		X	
WOOD SPECIES:			
Red Oak	X	X	
White Hard Maple	X	X	
Cherry	X	X	
Budget Maple	X	X	X
Natural Cherry			X