

Tuscan Style Molding

Ordering:

Whenever possible, please specify the lengths needed and we will do our best to meet your needs.

Custom Profiles:

If you do not see the profile you want here, please visit our website at www.eliaswoodwork.com for more options. If you still cannot find what you are looking for, please contact us for a quote for custom profile. We can match a sample or a drawing to produce the profile you need.

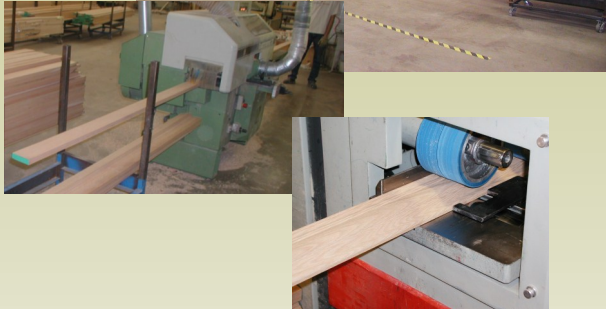
Wood Species:

Most profiles are available in the following wood species:

Oak, Maple, Cherry, Paint Grade, Alder, Hickory and Knotty Pine. If you require another specie, please call to arrange a special order.

Finishing:

A wide variety of finishes are available and custom matches are available for a small fee.



Visit us at Facebook: www.facebook.com/eliaswoodwork



Or follow us on Twitter: www.twitter.com/eliaswoodwork



P.O. Box 1659
275 Badger Ave.
Winkler, MB R6W 4B5

Phone: 800-665-0623
Fax: 204-325-5617

E-mail: sales@eliaswoodwork.com
Website: www.eliaswoodwork.com

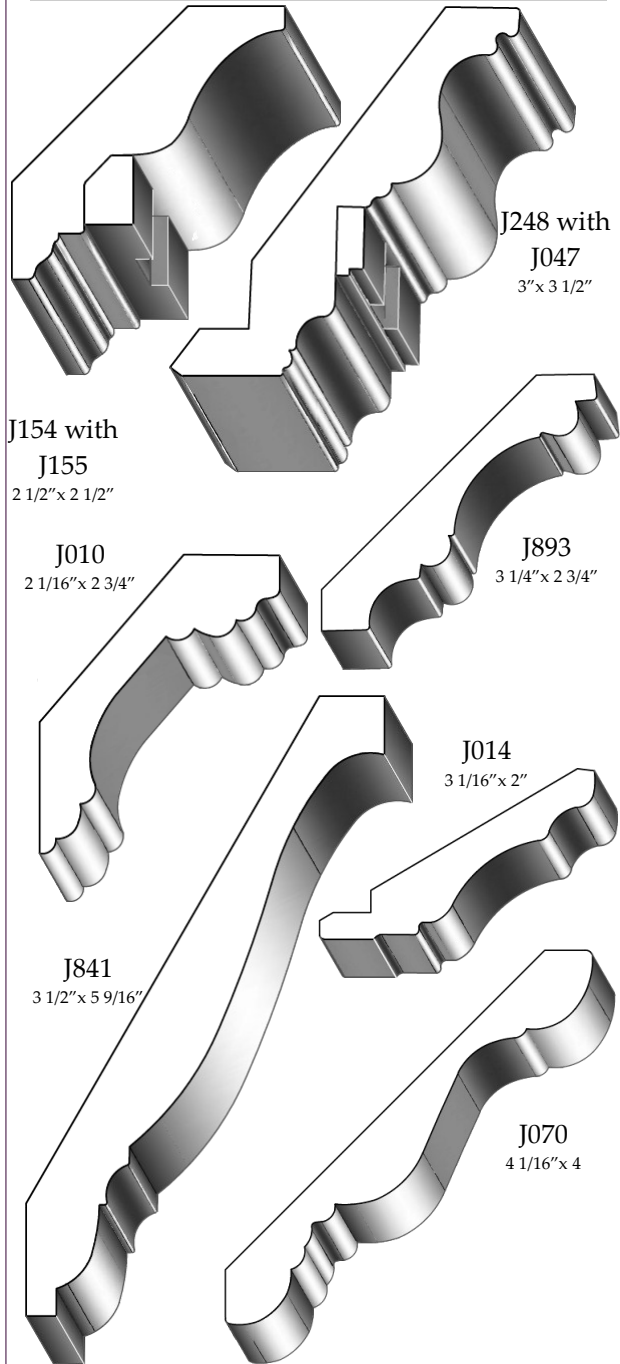


Tuscan Style
Molding

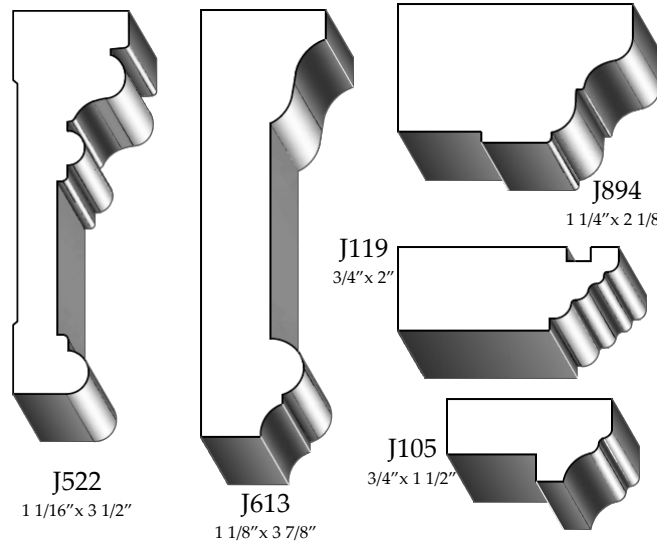


www.eliaswoodwork.com

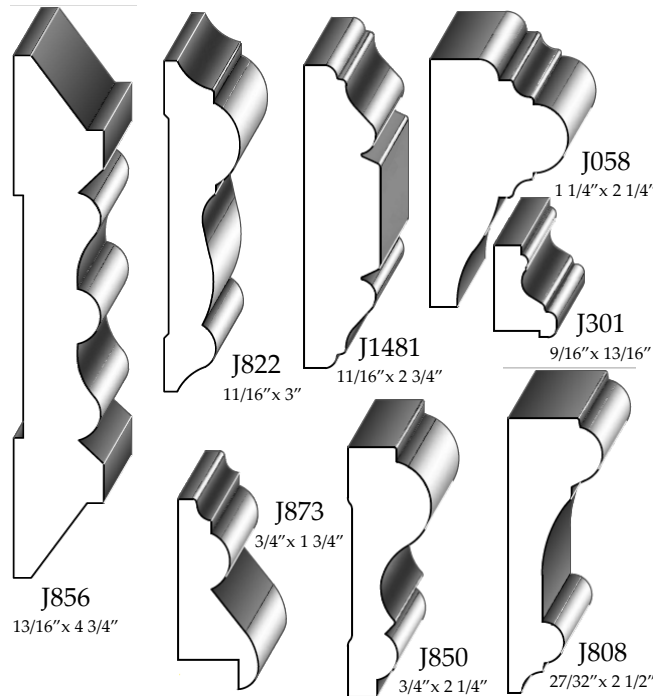
Cabinet Soffit/Crown Molding



Architrave/Header Molding



Plant-On, Panel Cap and Corner Molding

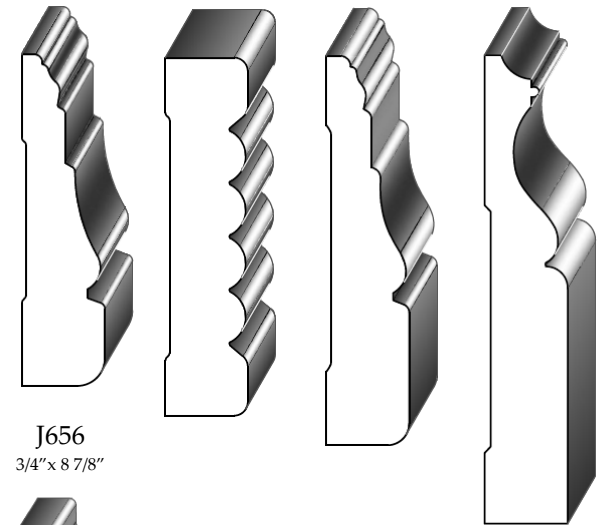


J1480
3/4" x 3"

J1487
3/4" x 3 1/4"

J660
3/4" x 3 1/2"

J625
3/4" x 4 1/4"



Casing and Baseboard Molding